

Product Catalog 2024

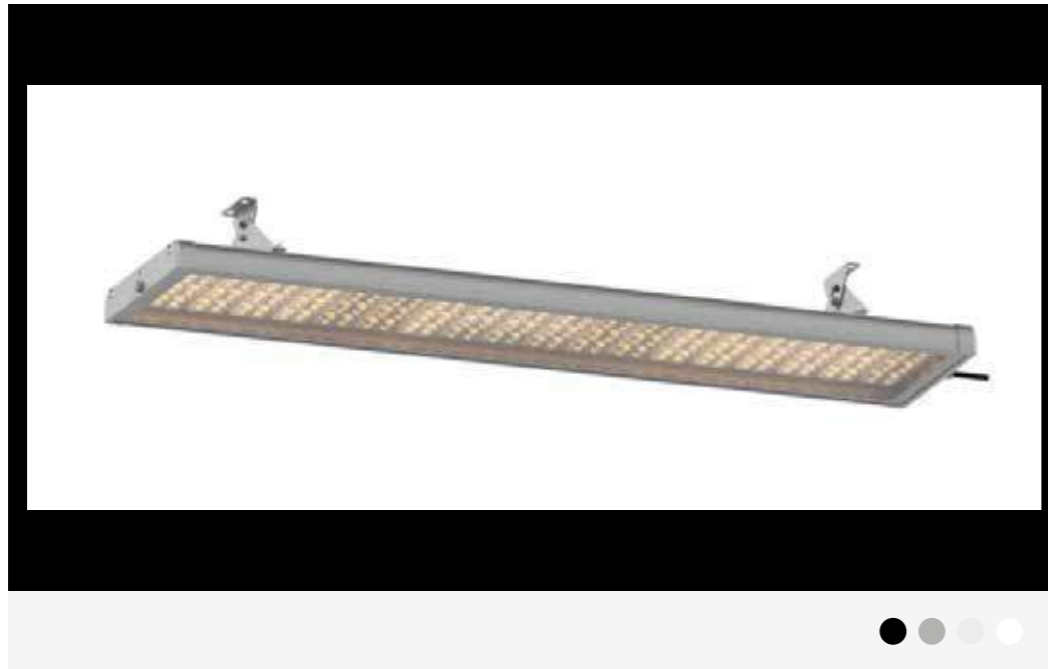


> tunnel lighting



TUNNEL LIGHTING / LINEAR HIGHBAY

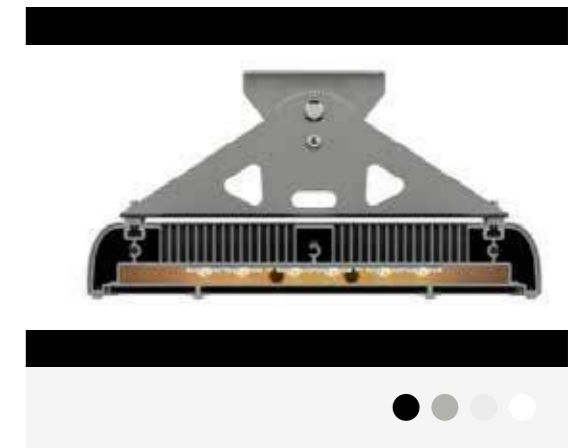
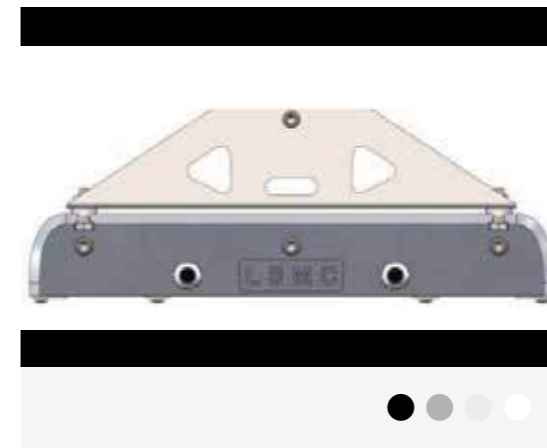
RT1 / 160LMW



RT1 is a professional led linear lighting solution mainly designed for tunnel lights and warehousing solutions. By selecting the proper LED lens we can use RT1 in Symmetric or Asymmetric solutions making it the ideal choice for applications that require durable, high quality and long life. RT1 has a high quality extruded aluminum housing with die cast aluminum end caps for high impact and better protection level IP66 in supper quality outdoor finish. RT1 uses LED driver with external cable

and outdoor grade connection are all available to provide long lasting solution.

Driver Options: Standard, Dimmable, DALI
Applications: Tunnels, Linear Highbay
 Warehousing, Similar



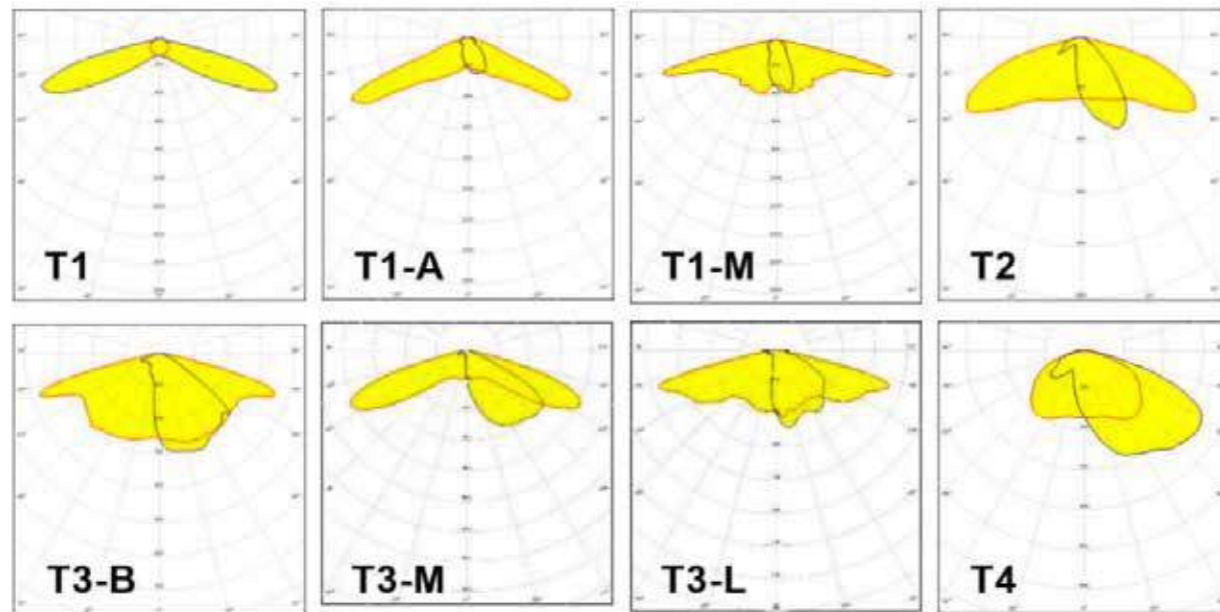
Technical Specification

Housing	Extruded aluminum housing with Die cast aluminum end caps
Protection	IP 66, IK08
Light Shade	Clear tempered glass
Rendering Index	CRI>70, CRI> 80 and CRI>90 also available as option
Availabe CCT	2700 - 6500K
Beam angles	Symmetric / Asymmetric
Light Source	LED SMD 160Lm/W
Input Voltage	220-240V 50/60Hz
Working Temp.	-25C : +50C



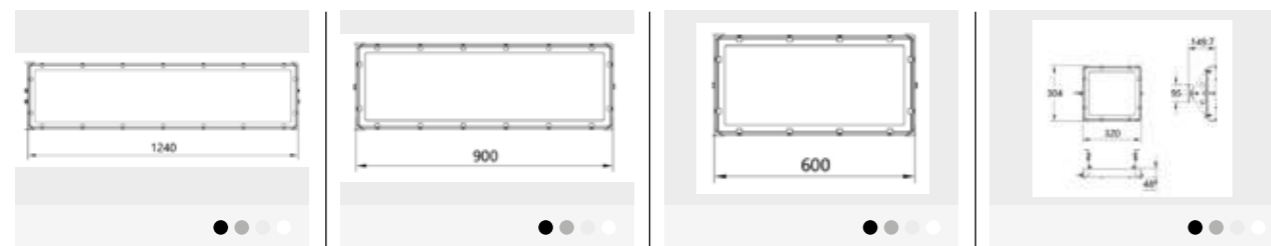
Available Light Disctributions

RT1 has a wide range of different light symmetric or asymmetric optics according to the application whatever tunnel lighting, linear highbays or other use. RT1 uses only high quality best in grade LEDiL optics solutions to maintain high efficacy with long life product.



Available Sizes

RT1 is a highly customized product and can be produced in a wide range of different configurations. basically available in standard 4 size to make it more easier for customer to select the most near dimensions to his application.

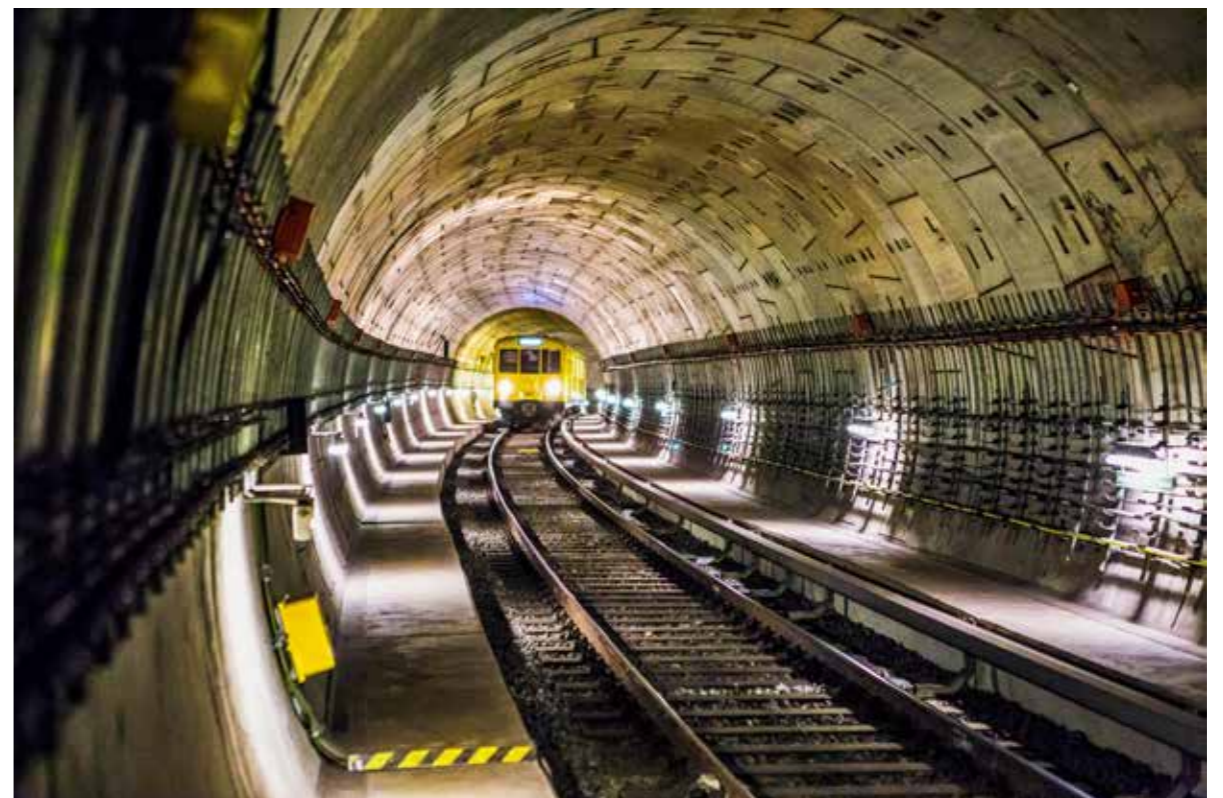


Ordering Information

Family	Length	Power	CCT	CRI	Driver
RT1	X X	XXX	X X	X X	X X
03: Length 300mm		48-96W			
06: Length 600mm		100-193W	27: 2700K	80: CRI80	SW: ON/OFF
09: Length 900mm		200-286W	30: 3000K	90: CRI90	DI: 1-10V
12: Length 1200mm		1300-435W	40: 4000K		DA: DALI
			65: 6500K		

Ordering Example

RT1-06-120-30-80-DA: RT1 with 600mm length, Power 120W, CCT 3000K, CRI80 with DALI driver.



> sports lighting



SPORTS LIGHTING

PSL1 SERIES / 160LMW



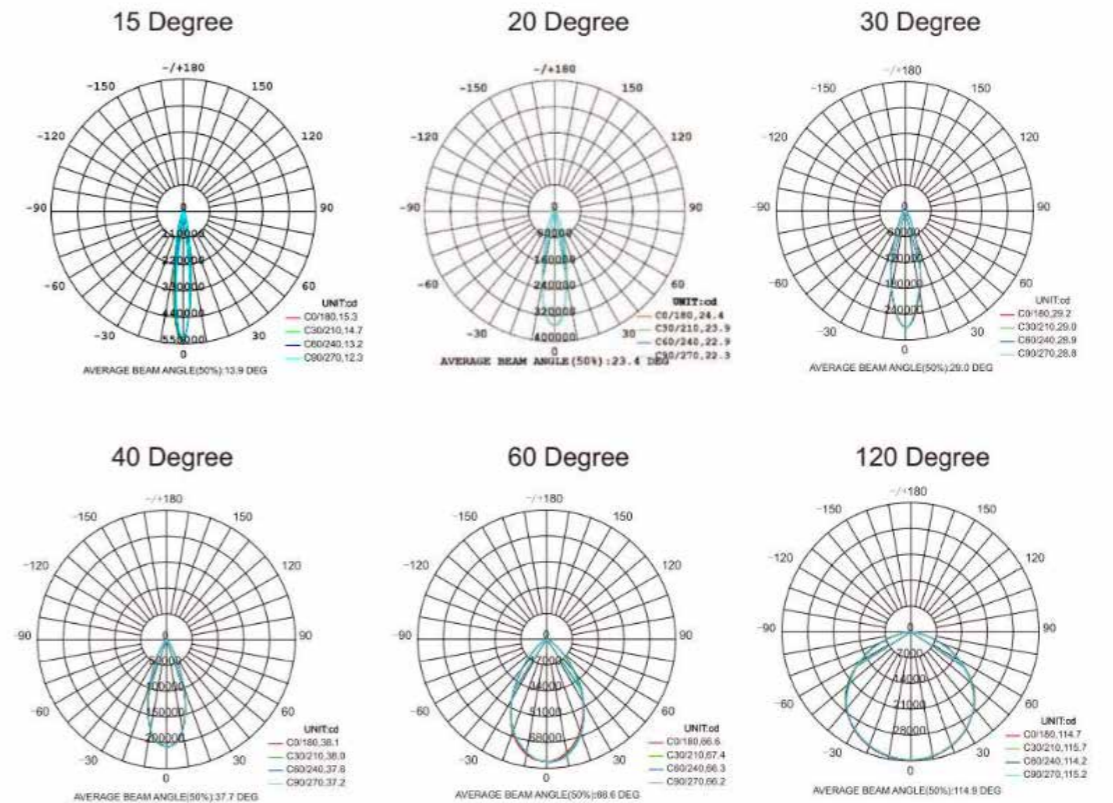
PSL1x is a professional series of LED sports light produces high brightness and enhanced glare-free illumination for specific venue to create bright and comfortable lighting. Wind resistance and IP66 rated for wet location make it ideal for outdoor large places such as stadium, dock, shipping yard, airport.

Driver Options: Standard, Dimmable 0-10V, DALI, DMX512
Applications: Stadiums, Airports, Shipping Yards, ...

Technical Specification

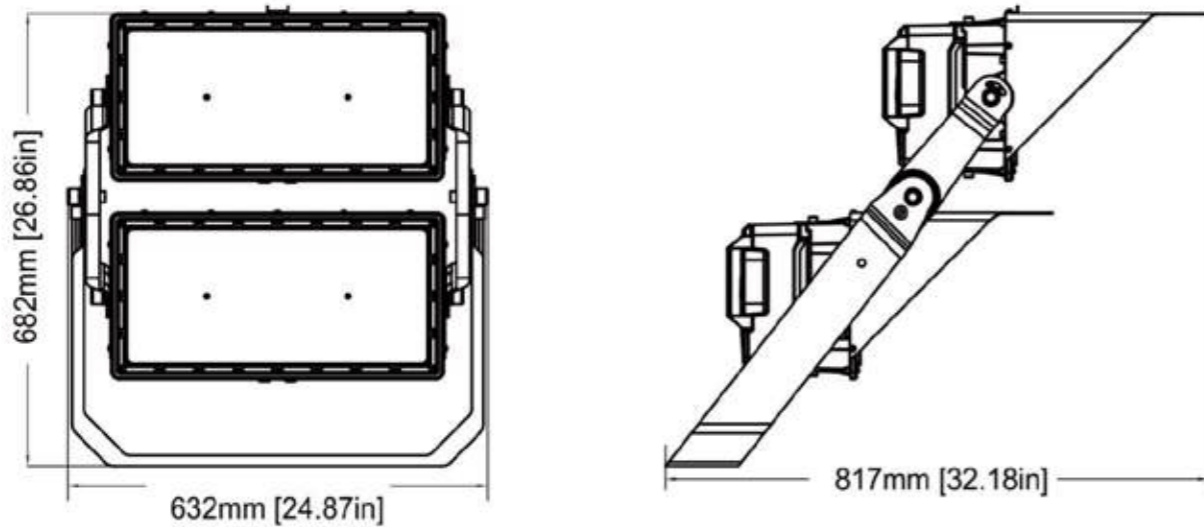
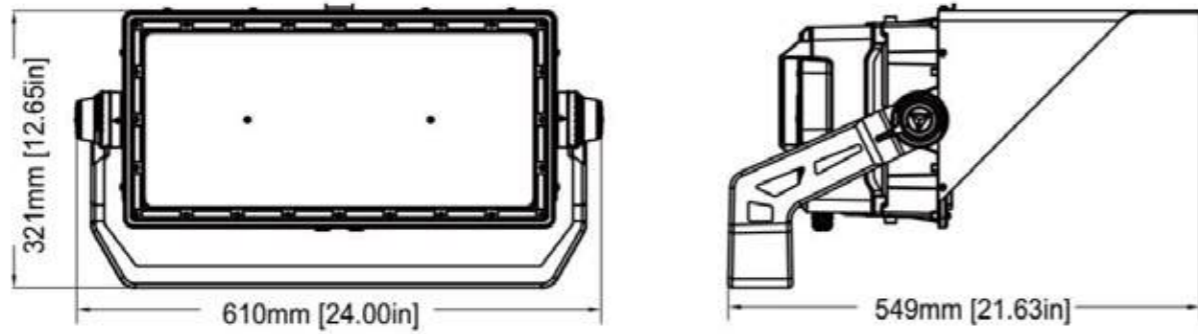
Housing	Die cast Aluminum housing
Protection	IP 66
Beam Angles	Sym. 80,120,250,300,450,600 or Asy. 150x300 and 100x650.
Rendering Index	CRI>70, >80 and >90 as options
Availabe CCT	Single Colr RGB / WRGB
Light Source	High Power SMD
LIFE TIME	50,000 Hrs
Input Voltage	220-240V 50/60Hz
Working Temp.	-25C : +50C

Available Light Disctributions



Available Sizes

PSL1x is a modular LED sports light which can be used as single module (M1) up to 650W or in 2 modules assembly (M2) up to 1300W.



Ordering Information

Family	Modules	Power	CCT	Beam Angle	CRI	Driver
PSL1	M	X	XXX	X X	X X	X X
1	400-650W	27: 2700K	15	80: CRI80	SW: ON/OFF	
2	1700-1300W	30: 3000K	20	90: CRI90	DI: 1-10V	
		40: 4000K	30		DA: DALI	
		57: 5700K	40			
			60			
			120			

Ordering Example

PSL1-M1-0600-57-20-80-DI: PSL M1, 600W, 20D, CCT 5700K, CRI80 with Dimmable driver.

PSL1-M2-1000-40-30-90-DA: PSL M2, 1000W, 30D, CCT 4000K, CRI90 with DALI driver.

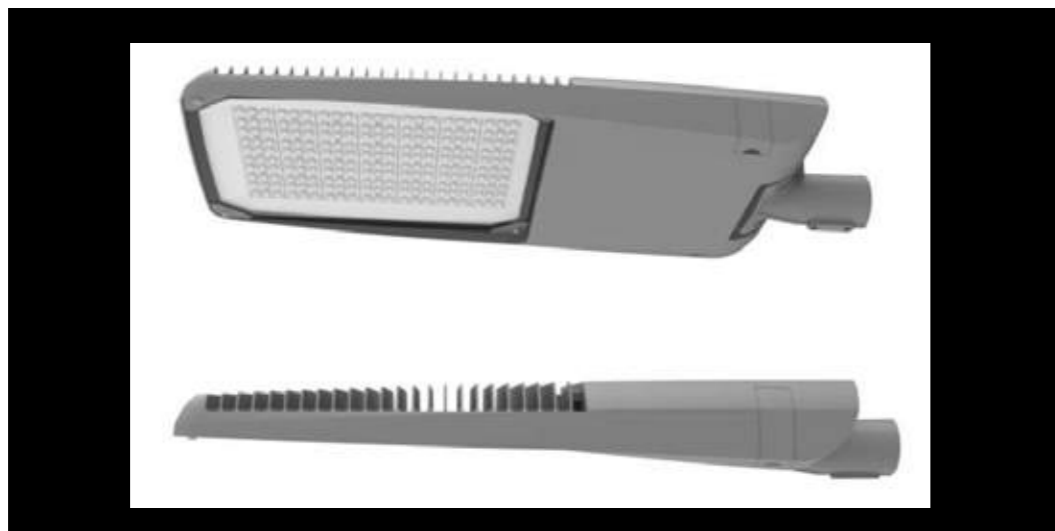


> street lighting



STREET LIGHT

SOLIDVISION SV1 / 150LM/W



LSMC SolidVision S1 is a professional led road lighting solution mainly designed to cover a wide



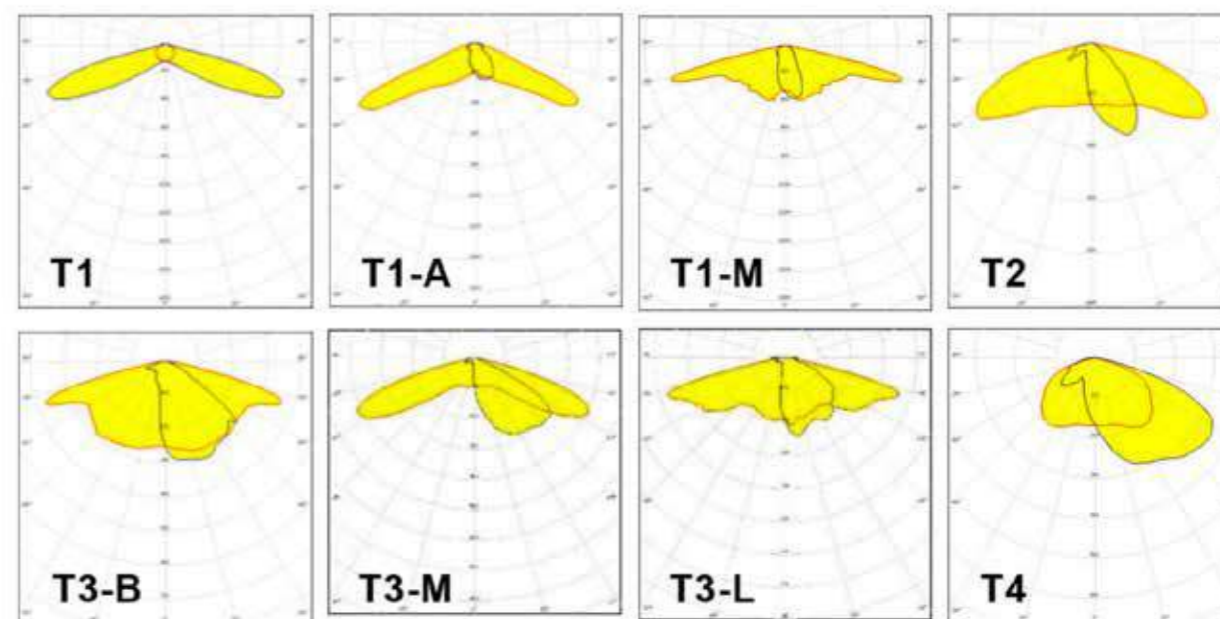
range of street and road specifications ranging from 30W up to 350W making it the ideal choice for applications that require durable, high quality and long life. SolidVision S1 has a high quality die cast aluminum housing and front tempered protection glass for high impact and better protection level IP66 in super quality outdoor finish.

Driver Options: Standard, Dimmable, DALI
Applications: Open Area, outdoor sports, general parking, Similar.

Technical Specification

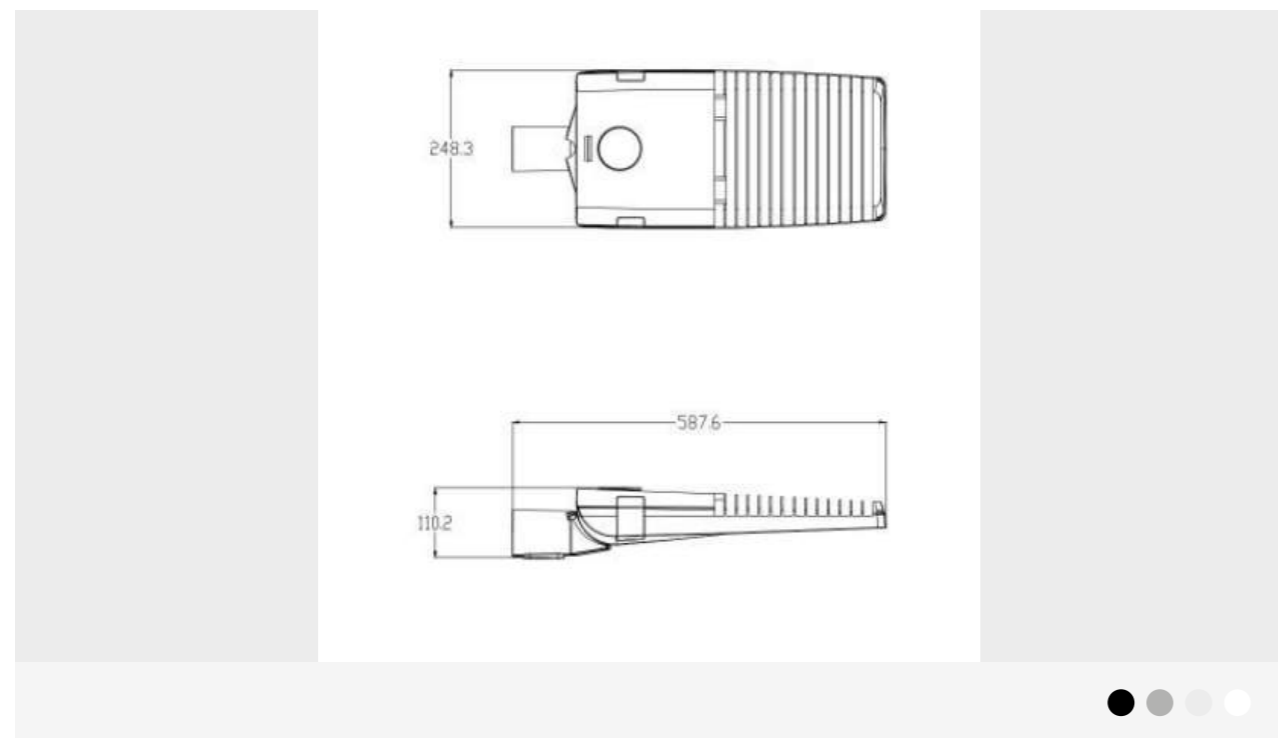
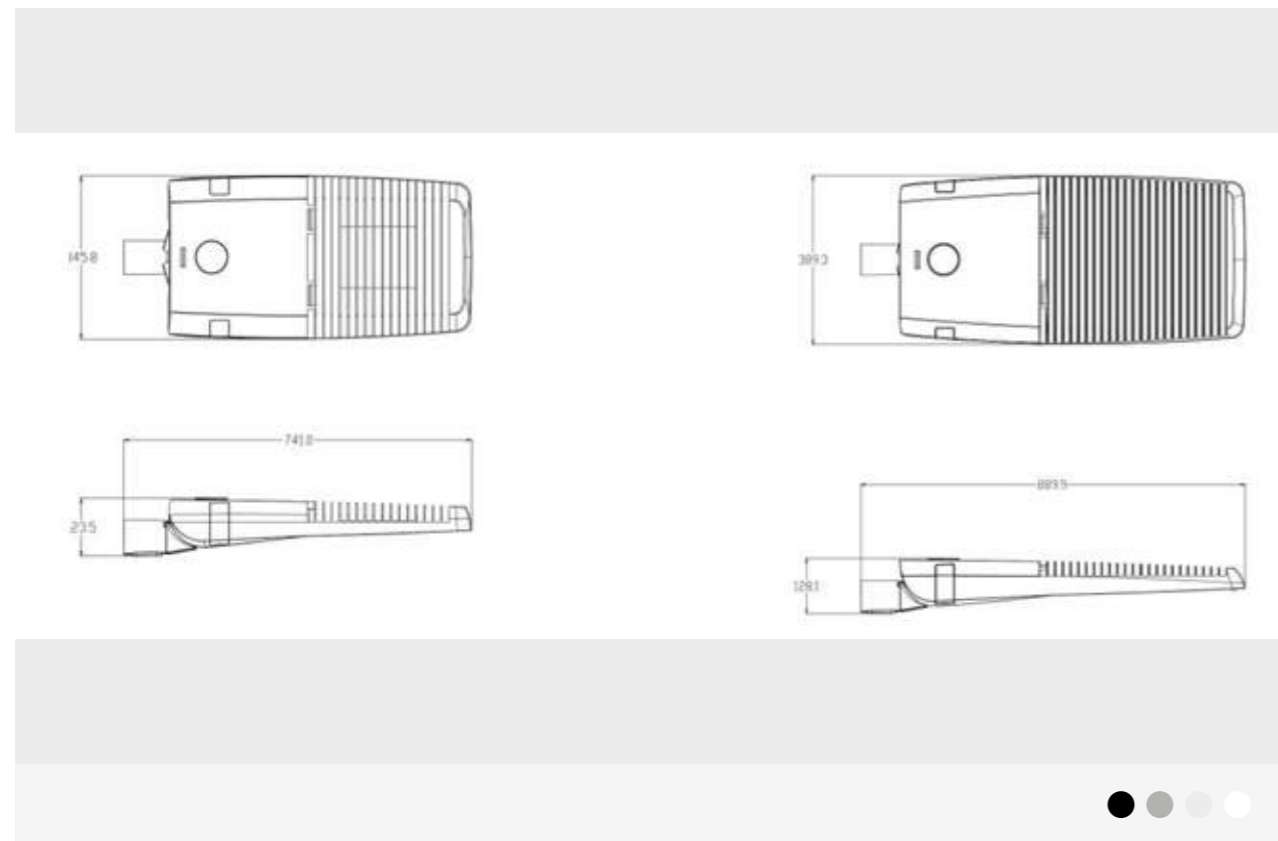
Housing	Die cast aluminum housing
Protection	IP 66, IK09
Light Shade	Clear tempered glass
Rendering Index	CRI>70, CRI> 80 and CRI>90 also available as option
Availabe CCT	2700 - 6500K
Beam Angles	Asymmetric
Light Source	LED SMD 150Lm/W
Input Voltage	220-240V 50/60Hz
Working Temp.	-25C : +50C

Available Light Disctributions



Available Sizes

DFL has 4 housing sizes ranging from 30W up to 600W which makes it very suitable to wide range of general lighting applications.

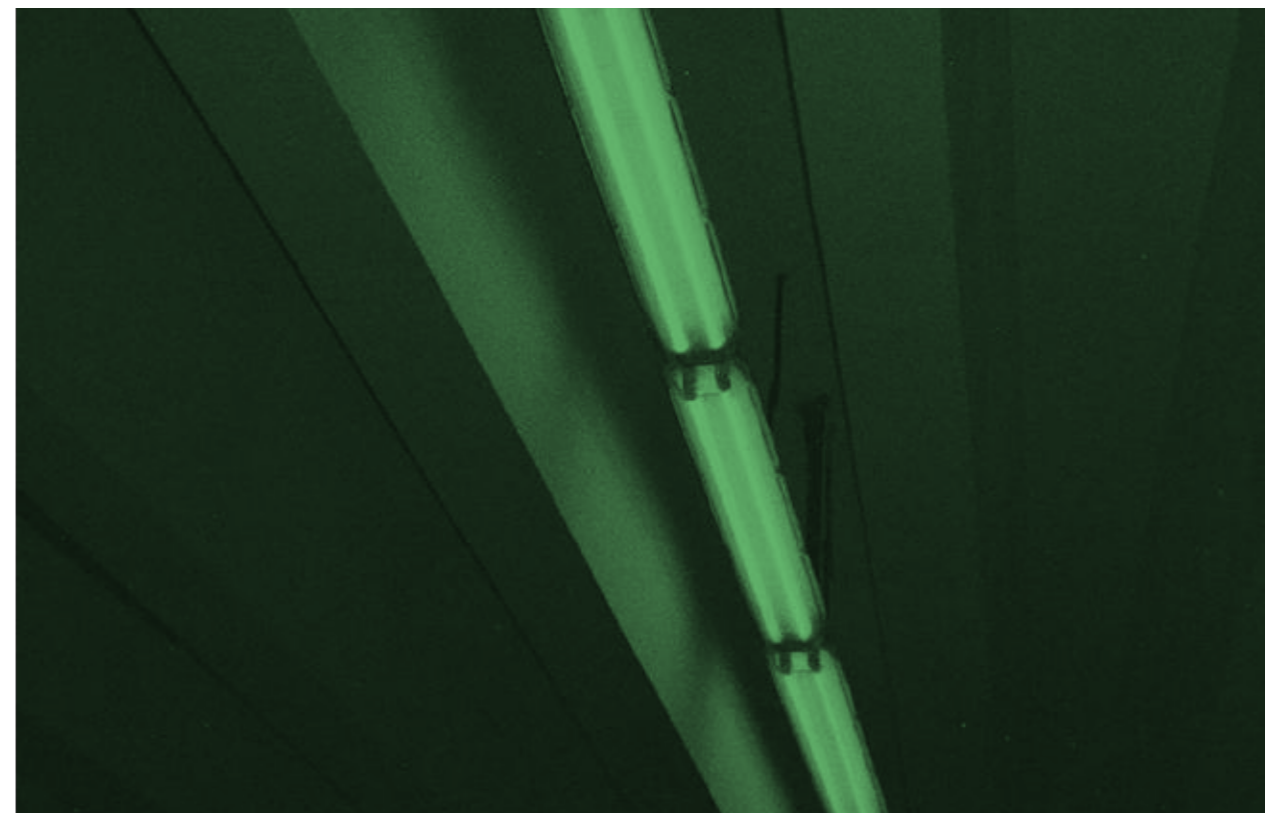


Ordering Information

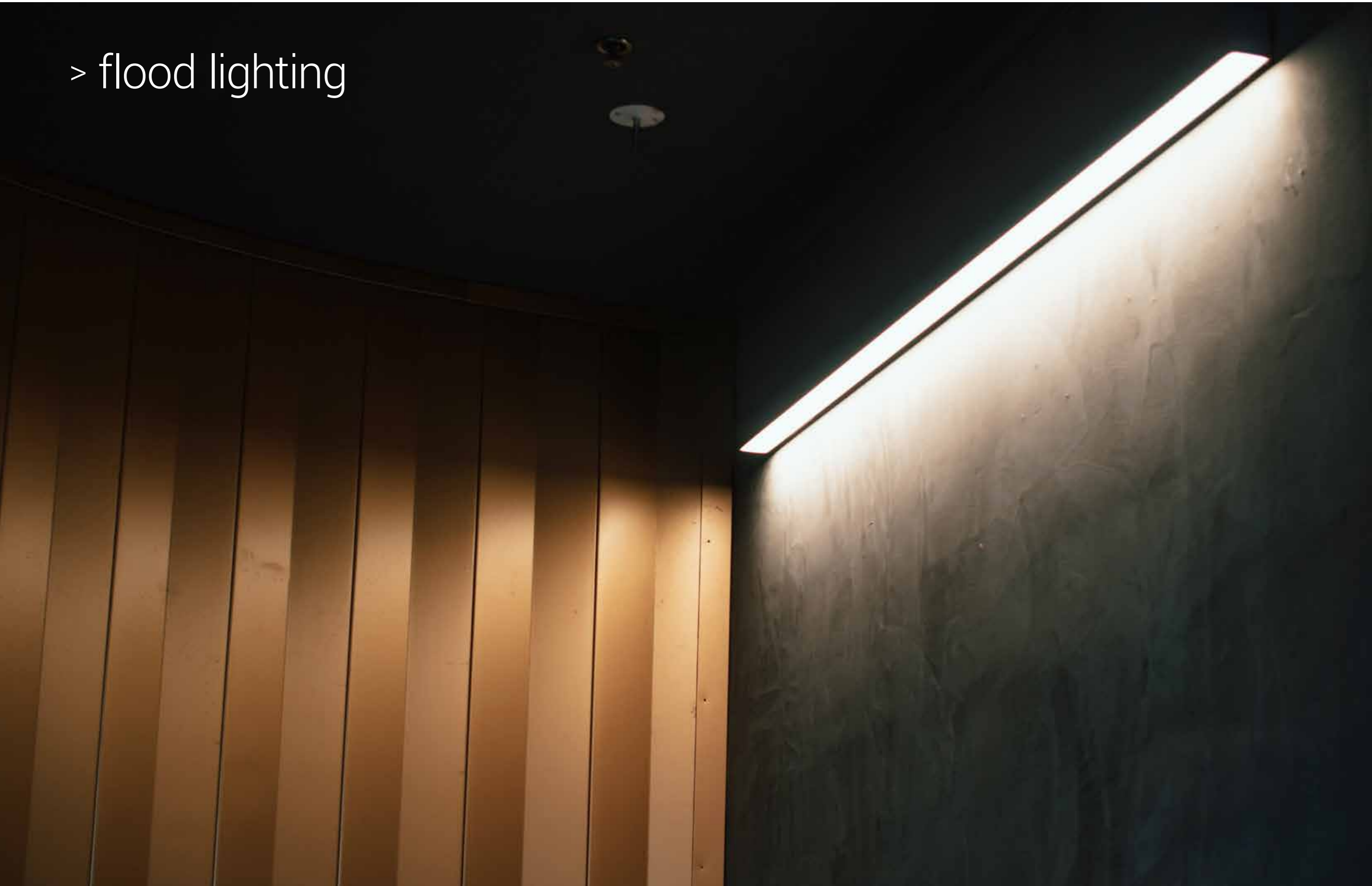
SV1	-	X	-	XXX	-	X	X	-	X	X	-	X	X	-	X	X
Family		Size		Power		CCT			Beam Angle			CRI			Driver	
1		030 - 100W				27: 2700K			T1			70: CRI70			SW: ON/OFF	
2		120 - 200W				30: 3000K			T2			80: CRI80			DI: 1-10V	
3		220-350W				40: 4000K			T3						DA: DALI	
						57: 5700K			T4							

Ordering Example

SV1-1-075-40-T2-70-DI: SV1 Size 1, 75W, 4000K, T2 distribution, CRI70 with Dimmable 0-10V Driver.
 SV1-3-350-30-T4-70-DA: SV1 Size 3, 350W, 3000K, T4 distribution, CRI70 with DALI Driver.



> flood lighting



DFL SERIES / 150LM/W



DFL is a professional led flood light solution mainly designed for open area and all safety lighting solutions. By selecting the proper LED lens we can use DFL in Symmetric or Asymmetric solutions making it the ideal choice for applications that require durable, high quality and long life. DFL has a high quality die cast aluminum housing and front tempered protection glass for high impact and better protection level IP66 in supper quality outdoor finish.

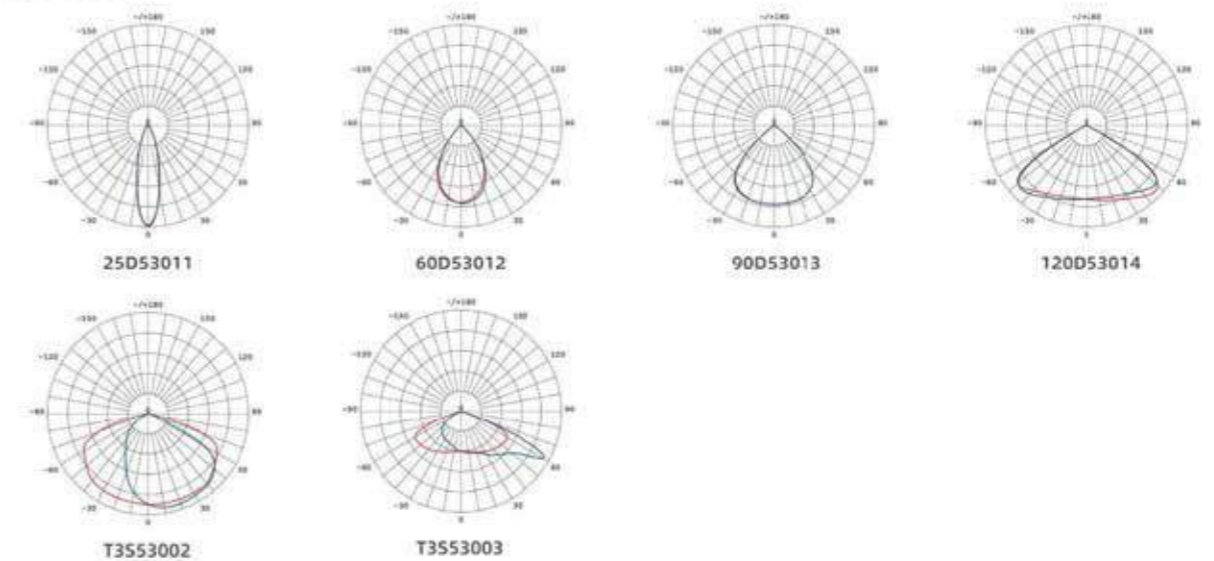
Driver Options: Standard, Dimmable, DALI
Applications: Open Area, outdoor sports, generalparking, Similar.

Technical Specification

Housing	Die cast aluminum housing
Protection	IP 66, IK08
Light Shade	Clear tempered glass
Rendering Index	CRI>70, CRI> 80 and CRI>90 also available as option
Availabe CCT	2700 - 6500K
Beam Angles	25°, 60°, 90°, 120°, Asymmetric
Light Source	LED SMD 150Lm/W
Input Voltage	220-240V 50/60Hz
Working Temp.	-25C : +50C

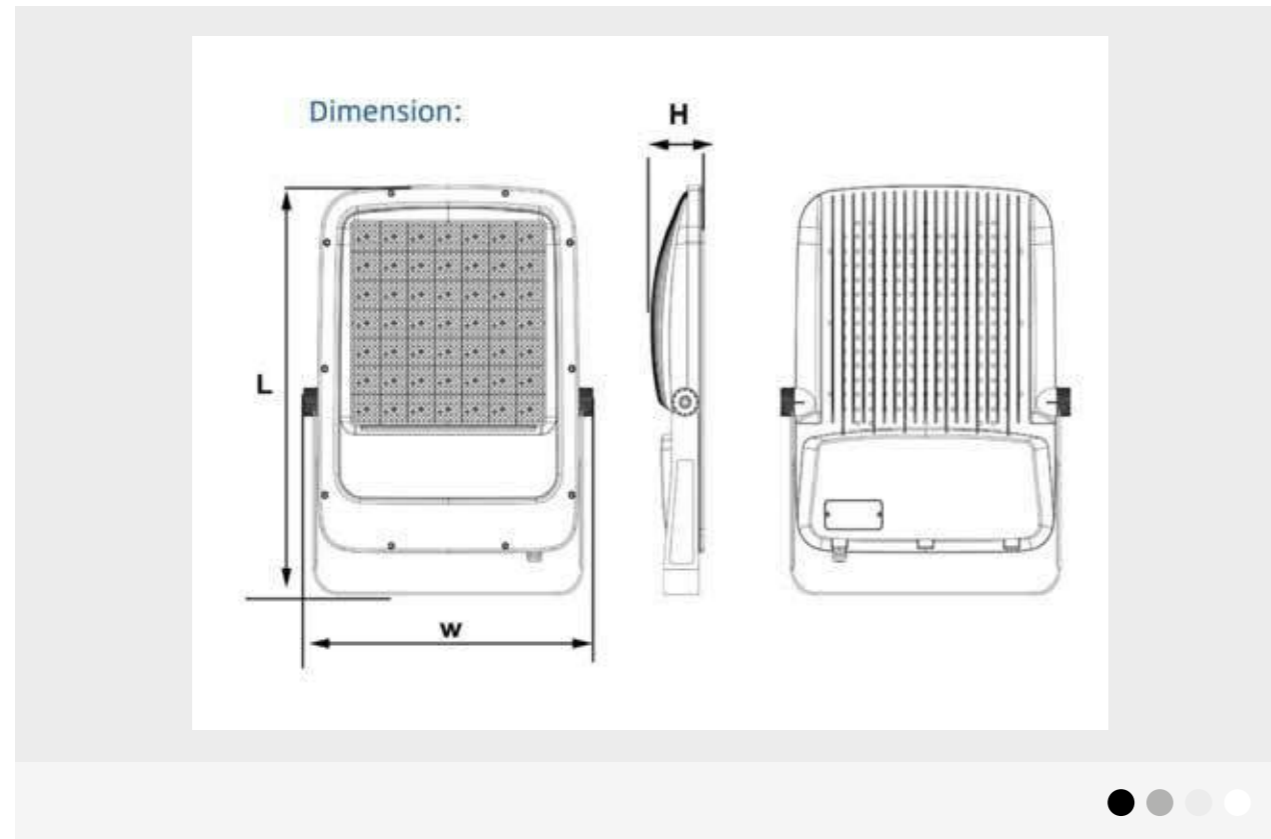
Available Light Disctributions

3030 Version



Available Sizes

DFL has 4 housing sizes ranging from 30W up to 600W which makes it very suitable to wide range of general lighting applications.



Fixture Information

L1 x W1 x H1	WEIGHT
353*258*58 MM	3.2KG
419*318*66 MM	4.8KG
586*440*89 MM	10.6KG
714*533*98 MM	15.5KG

L2 x W2 x H2	WEIGHT
45*30*45 CM (6 PCS/CTN)	25.2KG
45*35*35 CM (4 PCS/CTN)	24.0KG
66*46*15 CM (1PCS/CTN)	12.6KG
77*59*16 CM (1PCS/CTN)	17.0KG

Ordering Information

DFL	-	X	-	XXX	-	X	X	-	X	X	-	X	X	-	X	X	
Family		Size		Power		CCT		Beam Angle		CRI		Driver					
1		030 - 150W						25									
2		160 - 300W				27: 2700K		60		70: CRI70		SW: ON/OFF					
3		320-500W				30: 3000K		90		80: CRI80		DI: 1-10V					
4		520-600W				40: 4000K		120				DA: DALI					
						57: 5700K		T3S53002									
								T3S53003									

Ordering Example

DFL-2-200-40-60-80-SW: DFL Size 1, 200W, 60D, CCT 4000K, CRI80 with Standard Driver.
 DFL-4-600-30-25-70-DI: PSL Size 4, 600W, 25D, CCT 3000K, CRI70 with Dimmable 0-10 driver.



LSF12 SERIES / 150LM/W



LSF12X is a professional outdoor floodlight solution for open area lighting applications specially play yards and car parking areas. it come with fully protected IP66 die cast aluminum housing with different symmetric and asymmetric light distributions. The product can be produced in different wattage configurations ranging from 30W to 240W which gives the ability to use in wide lighting designs. With SMD technology and high quality LED driver, LSD12X can acheive obver 50,000hrs live time

based of L70. It comes in different CCT as 3000K, 4000K and 6500K. LSF12X can be supplied with standard LED driver or also be can with Dimmable 1-10V or DALI solutions.

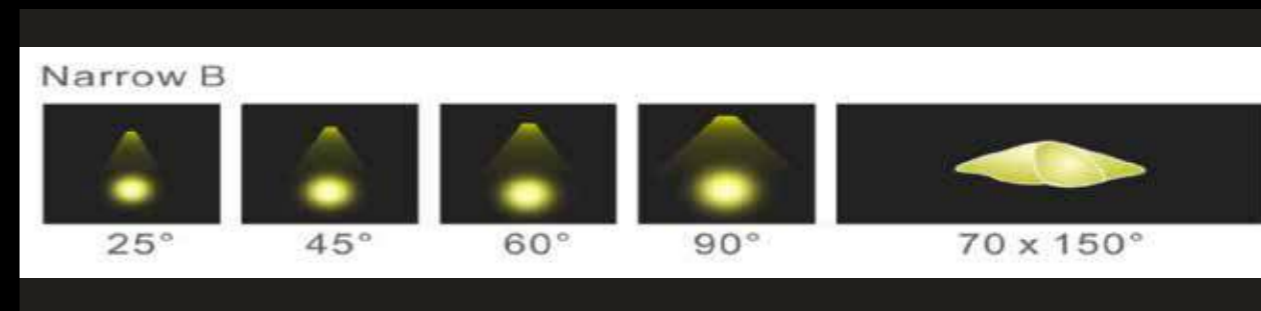
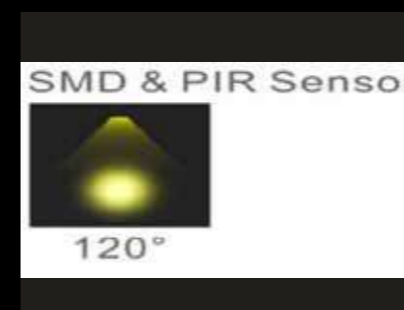


Adjustable Bracket: Rotatable ±150°

Technical Specification

Housing	Die cast aluminum
Protection	IP 66 / IK08
Diffuser	Protection tempered glass
Rendering Index	CRI>80
Availabe CCT	3000K, 4000K, 6500K
Light Source	SMD2835
Beam Angle	Check below range
Input Voltage	220-240V 50/60Hz
Working Temp.	-25C : +50C

Beam Angle





Die-Casting Al Heat Sink

ADC12 technology, thermal conductivity 96W/m@25°C result in excellent thermal management.

Offset Bracket

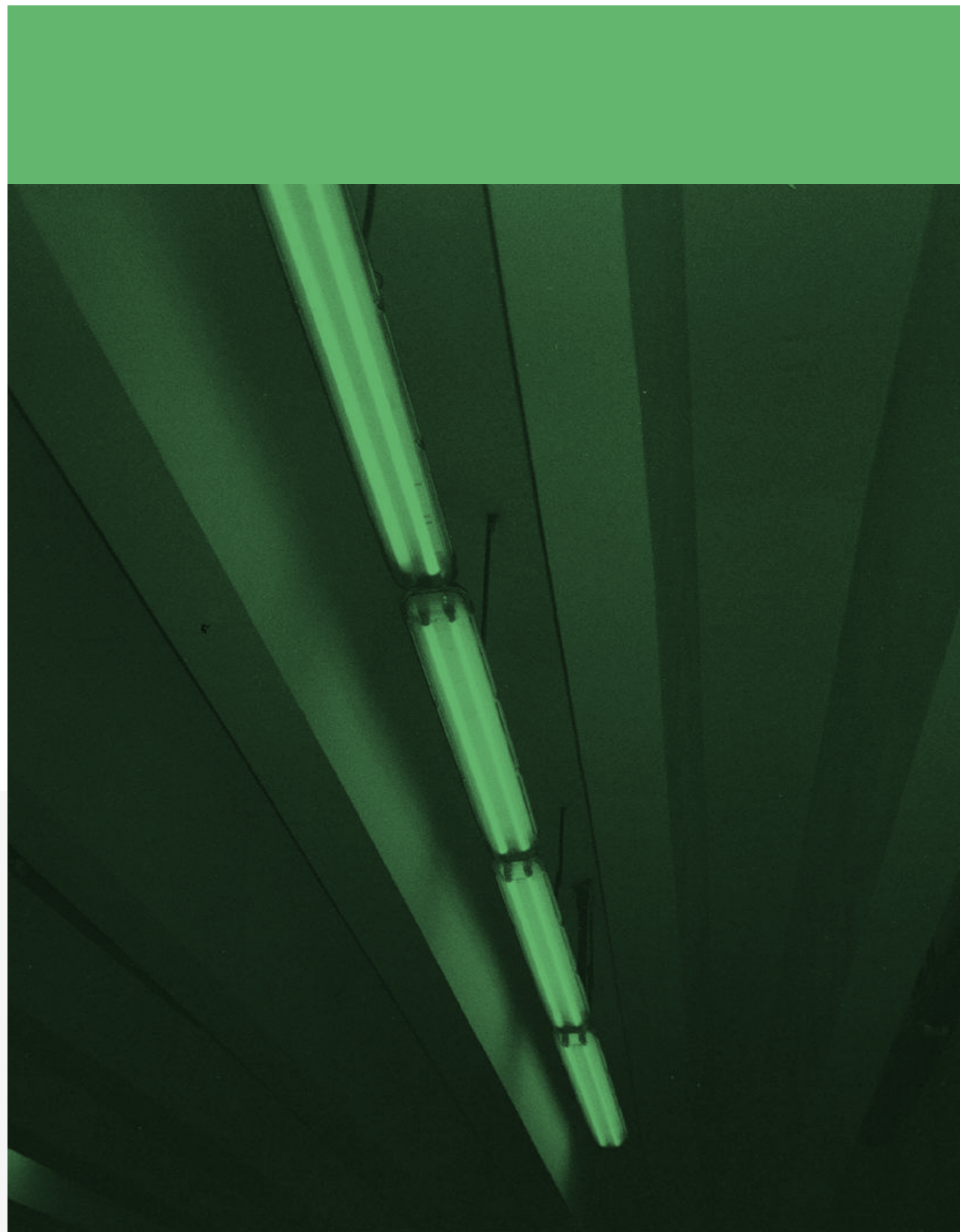
Make the installation easier, allow the installation process without removing the bracket, save time and labor cost.

Ordering Information

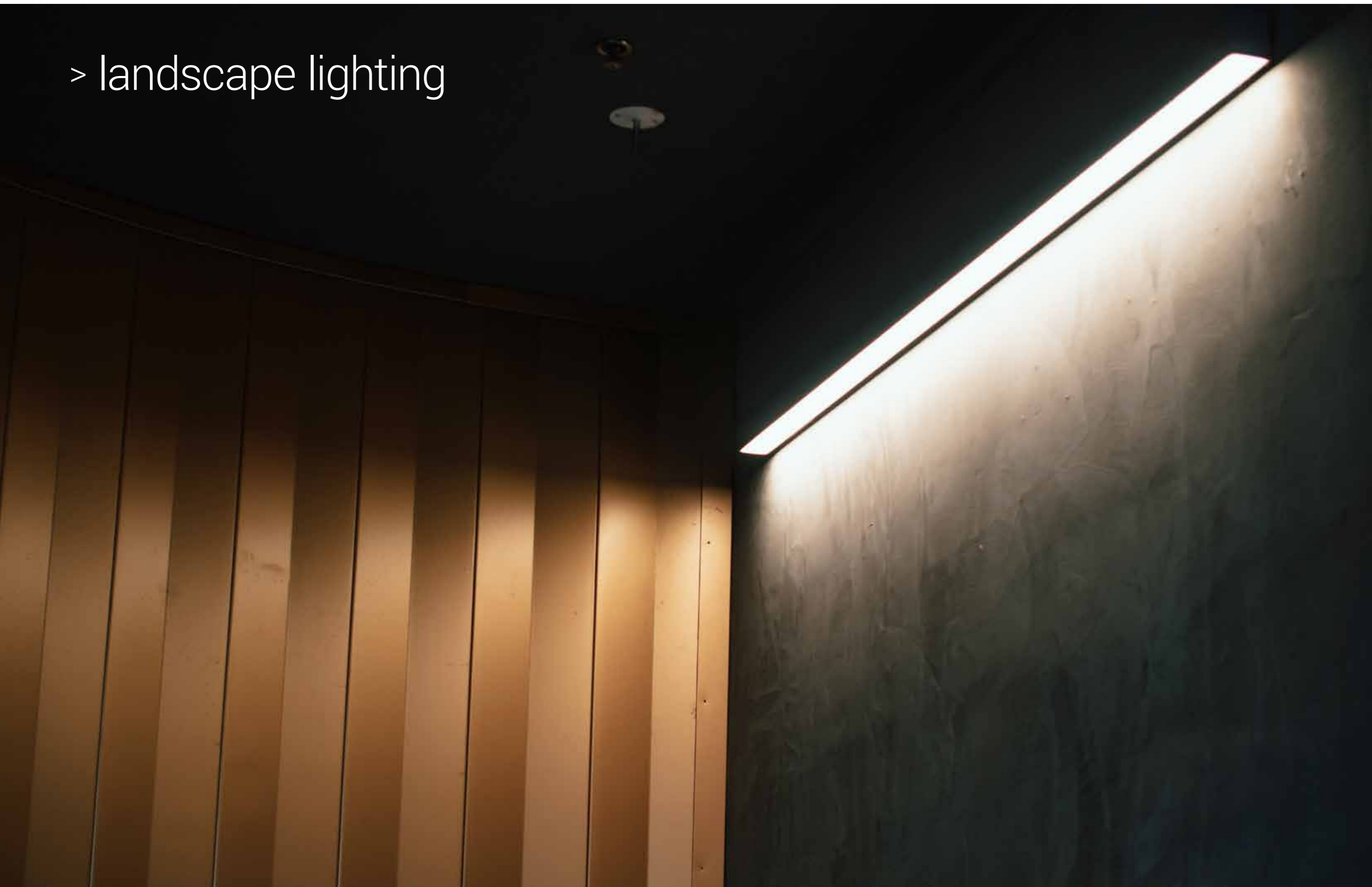
Family	Size	Power	CCT	Beam Angle	CRI	Driver
1	30 - 75W	27: 2700K	25	70: CRI70	SW: ON/OFF	
2	80-100W	30: 3000K	45			
3	120-150W	40: 4000K	60	80: CRI80	DI: 1-10V	
4	180-240W	57: 5700K	90			
			120		DA: DALI	
			70x150			

Ordering Example

LSF12-2-100-40-60-80-SW: LSF12 Size 2, 100W, CCT 4000K, 60D, CRI80 with Standard Driver.
 LSF12-4-240-57-70x150-70-DA: LSF12 Size 4, 240W, CCT 3000K, 70x150D, CRI70 with DALI driver.



> landscape lighting



LSU12x COB Uplight

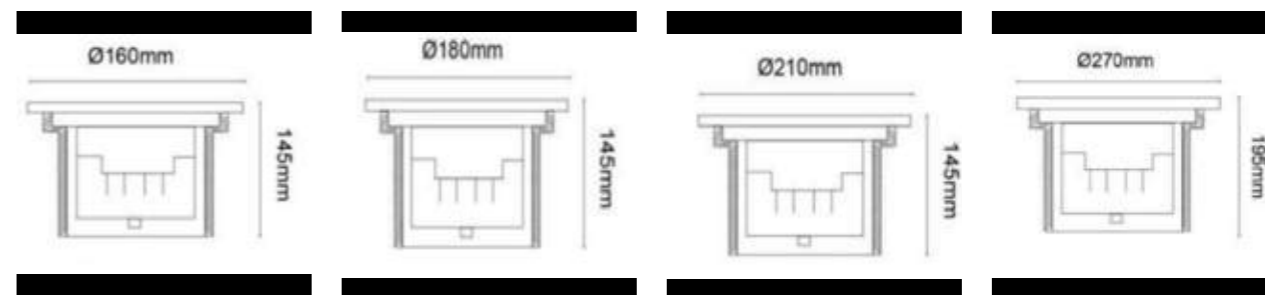


LSU12x is a professional led uplight family for landscape lighting solutions.

LSU12x has a high quality ADC12 dies cast aluminum housing with Stainless steel 316 trim for high impact IP67 IK10. LSU12x has different beam angles 16° / 120° to match narrow beam requirements for tall trees and also match lower level landscape items with wide angle solution. High quality protected LED driver with external cable and outdoor grade connection are all available

LSU12x can have different light rendering as CRI>70 for standard applications or higher grade CRI>80 for higher level projects. using high quality high power COB LED chip from well known brands, LSU12x will provide reliable and dependable solutions.

Driver Options: Standard, Dimmable, DALI
Applications: Public gardens, Parks, Airports, Mall, Business Buildings.



Technical Specification

Housing	ADC12 die cast aluminum
Protection	IP 67
Light Shade	Protection glass
Rendering Index	CRI>70, CRI>80 as option
Availabe CCT	3000K, 4000K, 6500K
Beam Angles	16° / 120°
Light Source	COB
Input Voltage	220-240V 50/60Hz
Working Temp.	-25C : +50C

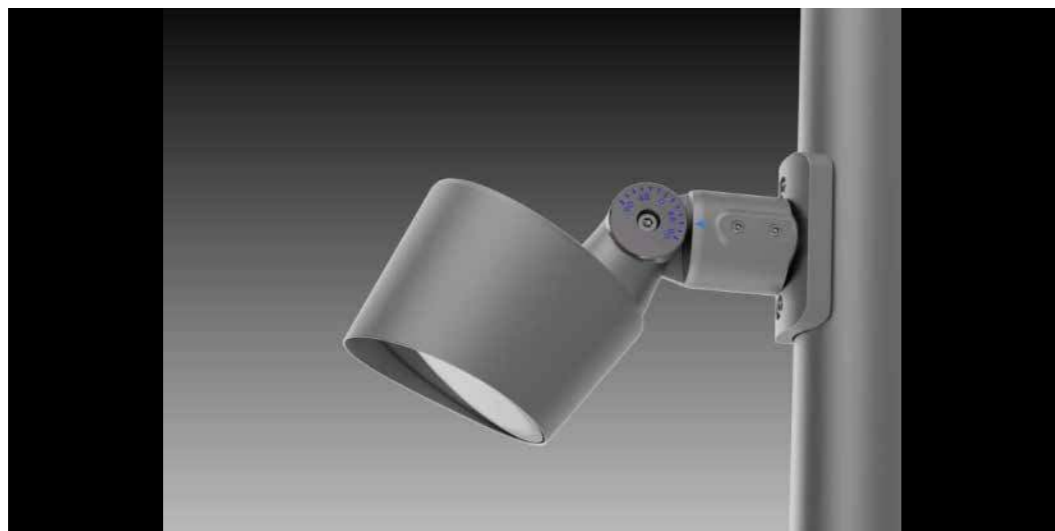
Ordering Information

Code	Power	Luminous Flux	Beam Angle	Diameter	Height
LSU121-9	9W	930 LM	16° / 120°	160 mm	145 mm
LSU122-16	16W	1680 LM	16° / 120°	180 mm	145 mm
LSU122-21	21W	2140 LM	16° / 120°	180 mm	145 mm
LSU123-29	29W	3100 LM	16° / 120°	210 mm	145 mm
LSU124-38	38W	3900 LM	16° / 120°	210 mm	195 mm

Ordering Example

LSU12-1-9W-40-16° -70-SW: LSU12, Size 1, 9W, 4000K, Beam Angle 16, CER70, Standard On/Off Driver.
LSU12-3-29W-30-120° -80-DI: LSU12, Size 4, 29W, 3000K, Beam Angle 120, CER80, Dimmable 0-10 Driver.

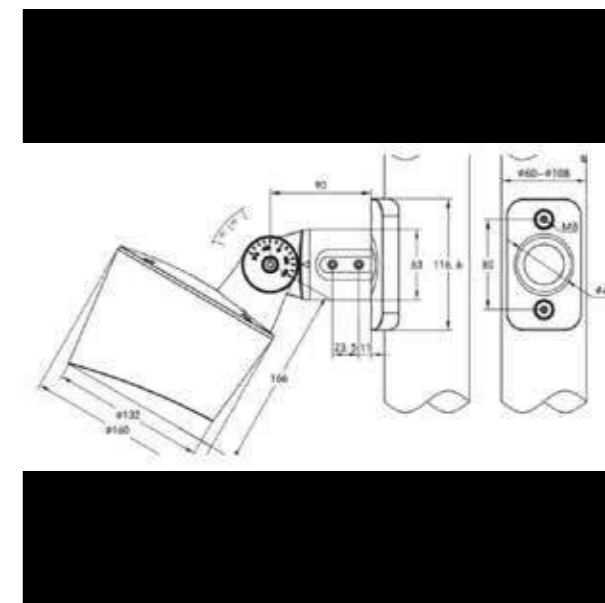
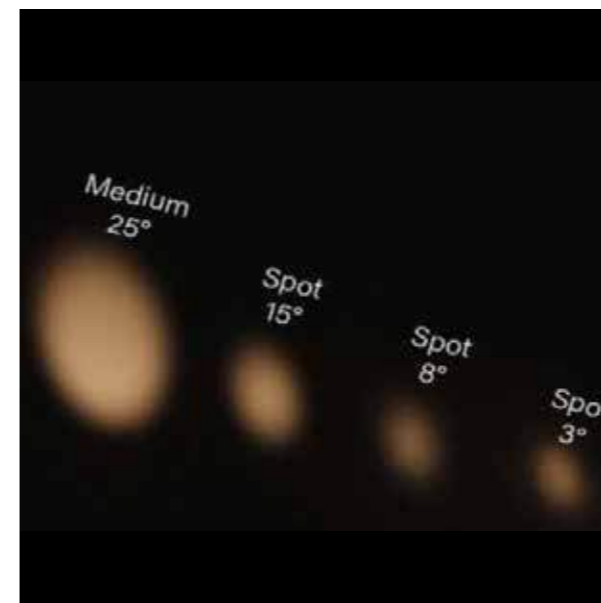
PROJECTOR PR101



- Angle adjustable range: -90° -- 90°
- Suitable for any diameter pole
- Gear meshing structure, easy adjustment
- Self-locking design, stable and reliable



Driver Options: Integrated Standard, Dimmable or DALI.
Applications: Public gardens, Parks, Airports, Mall, Business Buildings.



Ordering Information

Code	Power	Luminous Flux	Beam Angle	Adjustable	Angle Fixing	Fixing
PR101-11	11W	1150 LM	Check Table	-90° : +90°	Self Lock	Bracket
LSU122-16	19W	2200 LM	Check Table	-90° : +90°	Self Lock	Bracket
LSU122-21	32W	4000 LM	Check Table	-90° : +90°	Self Lock	Bracket

Ordering Example

PR101-9W-40-16° -70-SW: PR101, 9W, 4000K, Beam Angle 15, CER70, Standard On/Off Driver.
PR101-32W-30-120° -80-DA: PR101, 32W, 3000K, Beam Angle 8, CER80, DALI Driver.

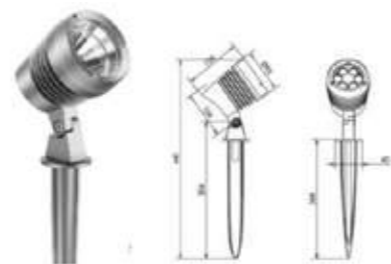
> linear lighting



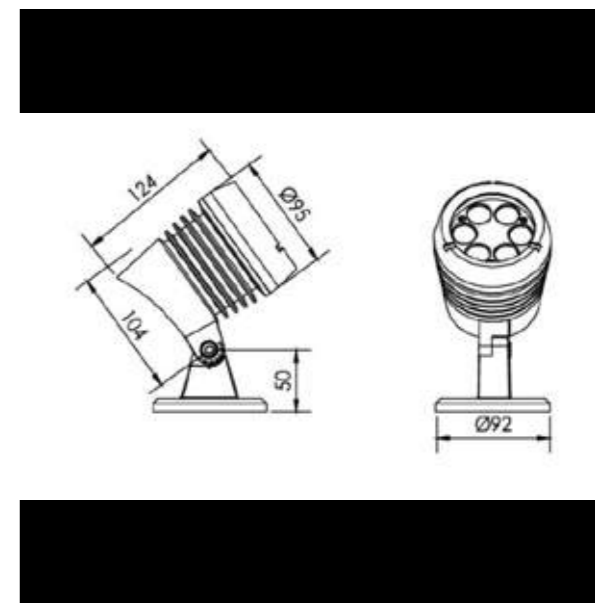
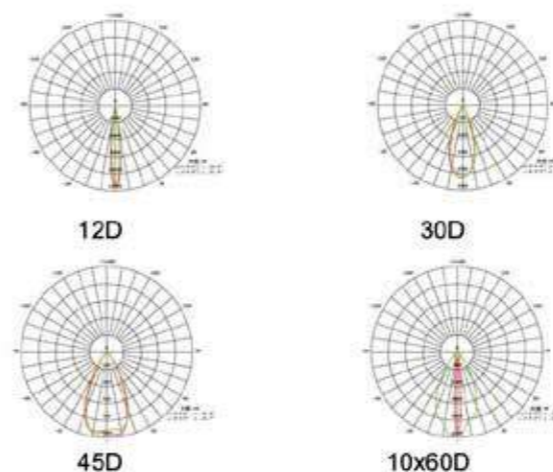
SP1 SERIES / 100LM/W



SP1X is a professional projector for facade lighting system. Made of high quality die cast aluminum housing with superior outdoor finish making it durable and long life for hard environments. Available in both option SMD and COB light sources, Available in different symmetric beam angles 8°, 12°, 20°, 30°, 45°, 60° and also in asymmetric options 15°x 30° and 10°x 60°.



Driver Options: Standard, Dimmable, 0-10V, DALI.
Applications: Landscape solutions, ...



Ordering Information

Code	Power	Luminous Flux	IP Rating	Mounting	LxW
SP1-7.2W	7.2W	700 LM	IP66	Surface/Spike	95x124mm
SP1-10.5W	10.5W	1050 LM	16° / 120°	Surface/Spike	95x124mm
SP1-15.8W	15.8W	1580 LM	16° / 120°	Surface/Spike	95x124mm

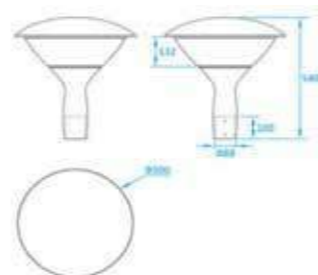
Ordering Example

SP1-10.5W-40-30° -70-SW: SP1, 10.5W, 4000K, Beam Angle 30, CER70, Standard On/Off Driver.
SP1-15.8W-30-12° -80-DI: SP1, 15.8W, 3000K, Beam Angle 12, CER80, Dimmable 0-10 Driver.

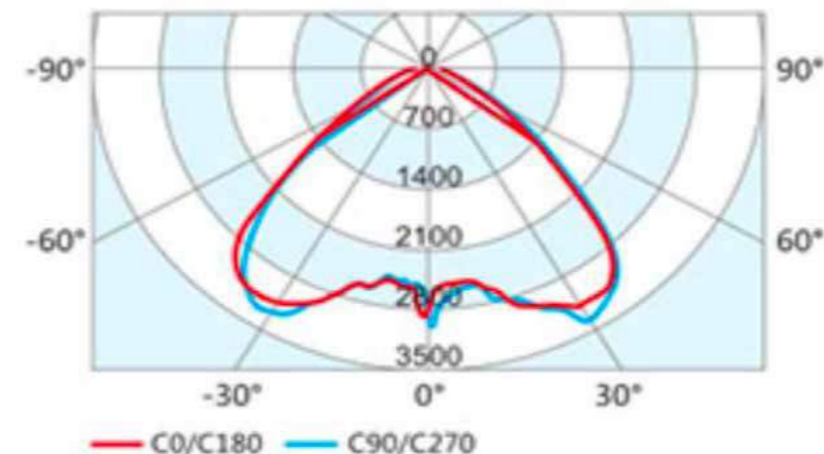
LGL11 / LED Garden Light



LGL11 is a professional outdoor high grade IP66 LED gardens and area lighting solutions. LGL11 has a uniform 360 degree light distribution. It can be mounted directly on top of pole that have 89mm pole top diameter and hight ranges from 3mt to 8mt according to area space and design, LGL11 comes in 3 different wattage as 40W, 50W and 60W for different pole heights and area requirements.



Driver Options: Integrated Standard, Dimmable or DALI.
Applications: Public gardens, Parks, Airports, Mall, Business Buildings.



Ordering Information

Code	Power	Luminous Flux	Beam Angle	IP Rating	Dimensions	Pole Top
LGL11-39.8	39.8W	3800 LM	105° x 105°	IP66	500x500x540	89mm
LSU122-16	49.2W	4780 LM	105° x 105°	IP66	500x500x540	89mm
LSU122-21	58.8W	5770 LM	105° x 105°	IP66	500x500x540	89mm

Ordering Example

LGL11-39.8W-40-105° -70-SW: LGL11, 39.8W, 4000K, Beam Angle 105, CER70, Standard On/Off Driver.
LGL11-58.8W-30-105° -80-DA: LGL11, 58.8W, 3000K, Beam Angle 105, CER80, DALI Driver.

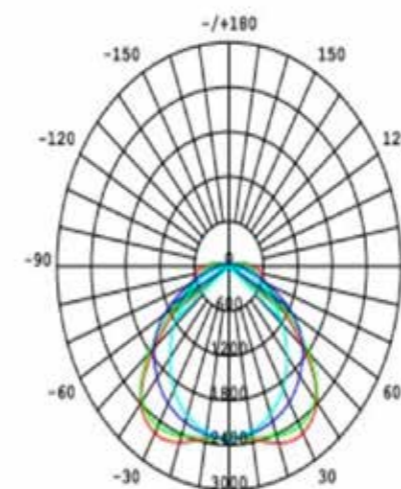
WATPRO IP66 / Series



WatPro IP66 is a professional LED outdoor linear light for roof area or basement lighting solutions, with high quality polycarbonate housing and cover this family can provide high lumen output and withstand housing color change. WatPro IP66 comes in 3 length sizes and cover lighting power from 8W to 55W of over 120LM/W light efficiency. this family has a professional PCB design and thermal management which improve lifetime and overall performance.



Driver Options: Integrated Standard , Dimmable, or DALI.
Applications: Roof areas, basement solutions, electrical and mechanical rooms.



Technical Specification

Housing	Polycarbonate housing
Protection	IP 66
Light Shade	Polycarbonate shade
Rendering Index	CRI>80
Availabe CCT	3000K, 4000K, 6500K
Beam Angles	Wide beam angle 120°
LIFE TIME	>50,000 Hrs
Input Voltage	220-240V 50/60Hz
Working Temp.	-25C : +50C

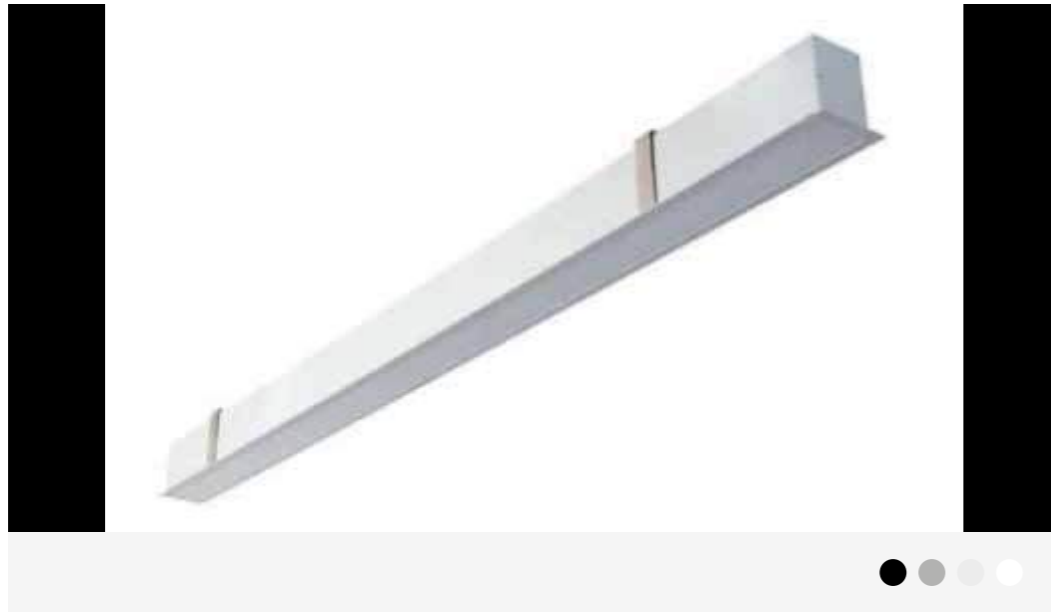
Ordering Information

Code	Power	Lumin Efficacy	Beam Angle	IP Rating	Dimensions	Mounting
WatPro 600	10-18W	>120 LM/W	120°	IP66	636x102x81	Surface
WatPro 1200	24-36W	>120 LM/W	120°	IP66	1176x102x81	Surface
WatPro 1500	40-45W	>120 LM/W	120°	IP66	1560x102x81	Surface
WatPro 1500	50-55W	>120 LM/W	120°	IP66	1560x102x81	Surface

Ordering Example

WatPro-1-15W-40-1200 -70-SW: WatPro 600mm, 15W, 4000K, Beam Angle 120, CER70, Standard On/Off Driver.
WatPro-3-50W-30-1200 -80-DA: WatPro 1500mm, 50W, 3000K, Beam Angle 120, CER80, Dalio Driver.

CEILLINE 75R



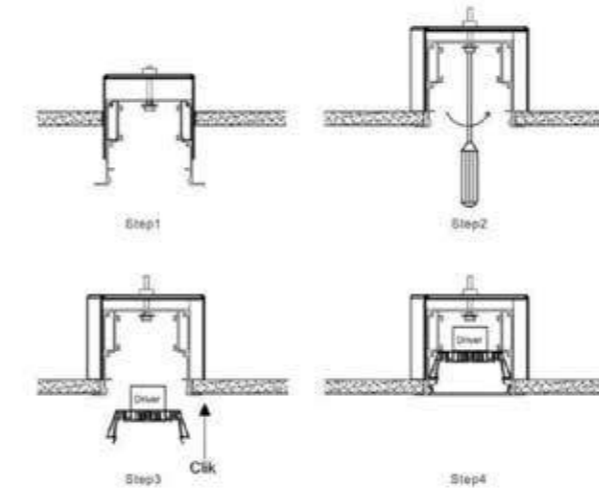
CeilLine75R, is a Ceiling recessed LED linear profile, aluminium housing, aluminium optic or opal diffuser, this product open the lighting designer imaginations to provide ultimate solutions for high end projects like airports and shopping malls. theanodized high quality aluminum profiles alongside with professional designed metal core PCB with LED chips can give the product longer lifetime with better performance. the product comes with different mounting accessories for linear or angle extensions.

CeilLine75R, can accept emergency backup kit to support working for up to 3Hrs to secure non interrupted business and safe evacuation. the EM kit will be installed inside the housing and will not be exposed so the installation will still nice and accepted.

Driver Options: Standard, Dimmable or DALI.
Emergency Backup battery: 1.5Hrs, 3Hrs

Technical Specification

Housing	High quality aluminum profiles
Protection	IP 40
Diffuser	Low glare non yellow PC diffuser
Rendering Index	CRI>80
Availabe CCT	3000K, 4000K, 6500K
Beam Angles	Wide beam angle 120°
Light Source	>50,000 Hrs
LIFE TIME	220-240V 50/60Hz
Working Temp.	-25C : +50C



Ordering Information

Code	Power	Luminous Flux	Beam Angle	L	WxH
CeilLine75R-600	18W	1600LM	60°	600mm	95x75
CeilLine75R-900	28W	2800LM	60°	900mm	95x75
CeilLine75R-1200	36W	3200LM	60°	1200mm	95x75
CeilLine75R-1500	45W	4050LM	60°	1500mm	95x75
CeilLine75R-1800	56W	5040LM	60°	1800mm	95x75
CeilLine75R-2400	72W	6480LM	60°	2400mm	95x75

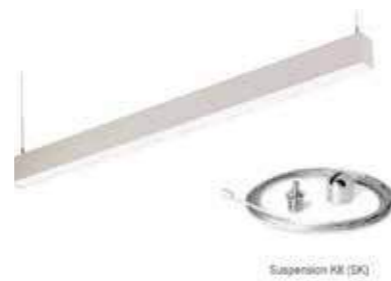
Ordering Example

CeilLine75R-600-15W-40-600-80-SW: CeilLine R 600mm, 15W, 4000K, Beam angle 60D, CRI80, Standard On/Off Driver.
CeilLine75R-1500-45W-30-600-90-DI: CeilLine R 1500mm, 45W, 3000K, Beam angle 60D, CRI90, Dimmable 0-10V Driver.

CEILINE 75S



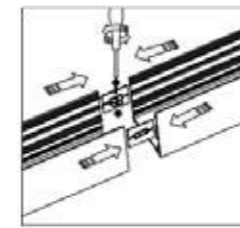
CeiLine 75, is a Ceiling Surface/Pendant LED linear profile, aluminium housing, aluminium optic or opal diffuser, suspended or surface mounted, Linear and 90 degree angle joint accessories are available to connect the luminaires.



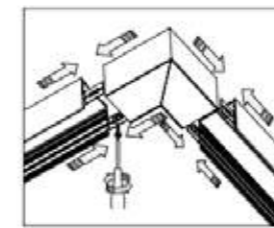
Driver Options: IStandard, Dimmable, DALI.
Applications: Museums, Airports galleries, Mall shops, Business Buildings.

Technical Specification

Housing	High quality aluminum profiles
Protection	IP 40
Diffuser	Low glare non yellow PC diffuser
Rendering Index	CRI>80
Availabe CCT	3000K, 4000K, 6500K
Beam angles	90°
Light Source	SMD2835
LIFE TIME	50,000 Hrs
Working Temp.	-25C : +45C



Linear joint (LJ)



90 degree Angle joint (AJ)



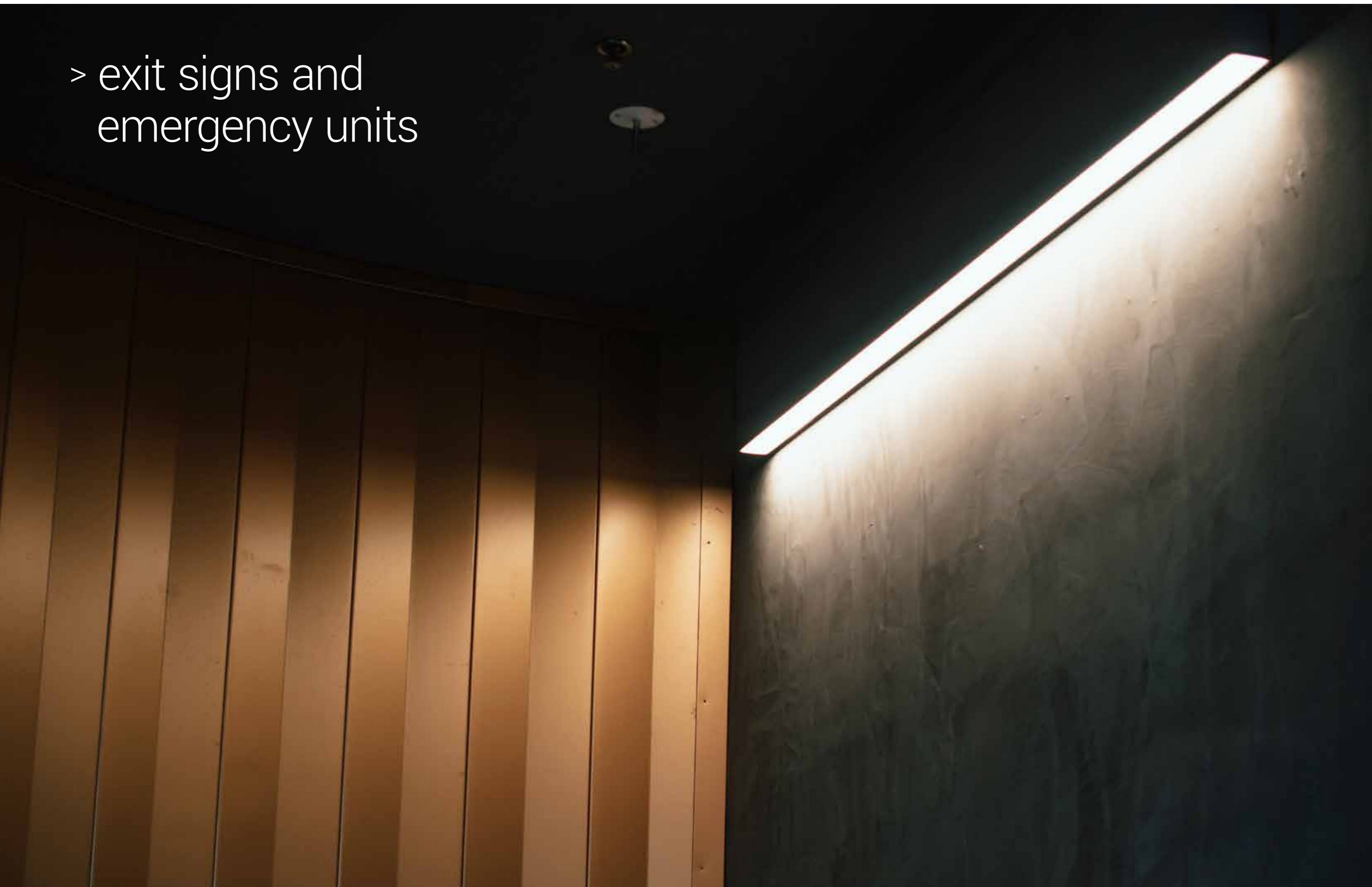
Ordering Information

Code	Power	Luminous Flux	Beam Angle	LxW	H
CL 75S-300	6-9W	600-900LM	60°	300x75mm	75
CL 75S-600	12-18W	1200-1800LM	60°	600x75mm	75
CL 75S-900	20-28W	2000-2800LM	60°	900x75mm	75
CL 75S-1200	24-36W	2400-3600LM	60°	1200x75mm	75
CL 75S-1500	40-50W	4000-5000LM	60°	1500x75mm	75
CL 75S-2400	48-72W	4800-7200LM	60°	2400x75mm	75

Ordering Example

CeiLine75S-600-15W-40-600 -80-SW: CeiLine S 600mm, 15W, 4000K, Beam angle 60D, CRI80, Standard On/Off Driver.
CeiLine75S-1500-45W-30-600 -90-DI: CeiLine S 1500mm, 45W, 3000K, Beam angle 60D, CRI90, Dimmable 0-10V Driver.

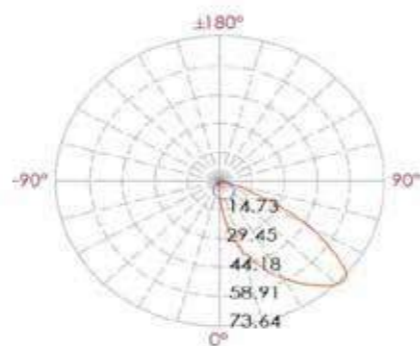
> exit signs and
emergency units



WRL1 / Wall Recessed



WRL1 is a professional LED wall recessed step light. made of high quality die cast aluminum, stainless stell face frame and protection glass meets IP65 protection level makes it ideal for outdoor solutions such as step and walk way lighting.

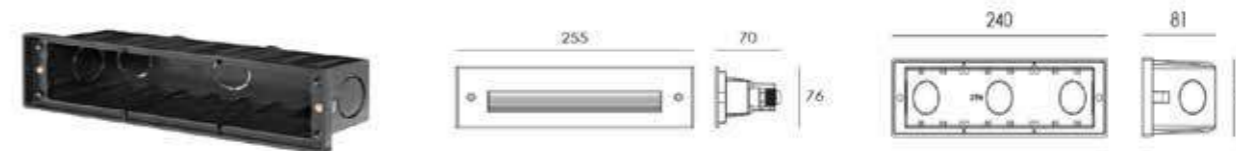


Driver Options: Integrated Standard LED Driver.
Emergency Backup battery: Step lighting, ramps and wall ways, landscape lighting.



Technical Specification

Housing	Die cast aluminum
Protection	IP 65
Light Shade	Protection glass
Rendering Index	CRI>80
Availabe CCT	3000K, 4000K, 6500K
Beam Angles	Asymmetric distribution
LIFE TIME	>50,000 Hrs
Input Voltage	220-240V 50/60Hz
Working Temp.	-25C : +50C



Ordering Information

Code	Power	Luminous Flux	Beam Angle	IP Rating	Dimensions	Mounting
WRL1-10	9.8W	780 LM	Asymmetric	IP65	255x70x81	Recessed

EXIT Ex1S



EM-PACK Ex1S is the modern design of exit sign solution for all indoor lighting applications and areas. It comes with IP20 housing and professional Lithium-Ion battery 3.6V 900mA for 3Hrs serving time. High quality SMD2835 16 LEDs makes it suitable for 3W applications.



For high end emergency systems, EM-PACK Ex1S can come with DALI- interface for remote monitoring and control.

Technical Specification

Housing	PC housing base and cover, Steel gear tray
Protection	IP 20
Battery Specs	Lithium Ion
Rendering Index	CRI>80
Available CCT	White, Green, Blue, RED
Light Source	SMD2835
Charging Time	24 Hrs
Input Voltage	220-240V 50/60Hz
Working Temp.	-25C : +45C



Ordering Information

Code	Power	Full Charging Time	Battery	SMD LEDs	Duration	Mode
EX1S-3	3W	24Hrs	3.6 V 900mAh	16	3H	M/NM

EM-PACK E1S



EM-PACK E1S is the modern design of emergency bulkhead solution for all lighting applications and areas. It comes with fully protected IP65 housing and professional Lithium-Ion battery for 3Hrs serving time. Different options of LEDs 8, 16 and 28 makes it suitable for different requirements of 2.5W, 3W and 4W respectively. High quality SMD2835 LEDs can output 120LM, 150LM and 180LM according to LEDs configuration.



For high end emergency systems, EM-PACK E1S can come with DALI- internace for remote monitoring and control.



Technical Specification

Housing	PC housing base and cover, Steel gear tray
Protection	IP 65
Battery Specs	Lithium Ion
Rendering Index	CRI>80
Availabe CCT	White, Green, Blue, RED
Light Source	SMD2835
Charging Time	24 Hrs
Input Voltage	220-240V 50/60Hz
Working Temp.	-25C : +45C

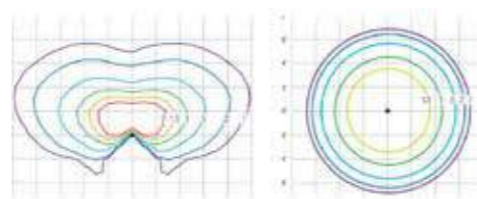
Ordering Information

Code	Power	Luminous Flux	Battery	SMD LEDs	Duration	Mode
E1S-2.5	2.5W	120 LM	3.6 V 1200mAh	8	3H	M/NM
E1S-3	3W	150 LM	3.6 V 1500mAh	16	3H	M/NM
E1S-4	4W	180 LM	3.6 V 1800mAh	28	3H	M/NM

LB2



LB2 is a professional led bollard for land scape lighting solution. LB2 has a high quality extruded aluminum housing with die cast aluminum head for high impact and better protection level IP66. LB11 have symmetric light distribution of 360°. High quality protected LED driver with external cable and outdoor grade connection are all available to provide long lasting solution.



Driver Options: Standard, Dimmable, DALI.
Applications: Public gardens, Parks, Airports, Mall, Business Buildings.

Technical Specification

Housing	Extruded aluminum housing with Die cast aluminum head
Protection	IP 65
Light Shade	Protection PC
Rendering Index	CRI>80
Availabe CCT	3000K, 4000K, 6500K
Beam Angles	Symmetric 360°
Light Source	COB
Input Volatge	220-240V 50/60Hz
Working Temp.	-25C : +50C



Main body made of die-casting aluminum and extruded aluminum alloy. Clear polycarbonate diffuser, anti-high temperature, anti-ultraviolet. Covered with electrostatic spray treatment. High strength heat sink. High quality LED chips, high efficiency Light distribution curve.



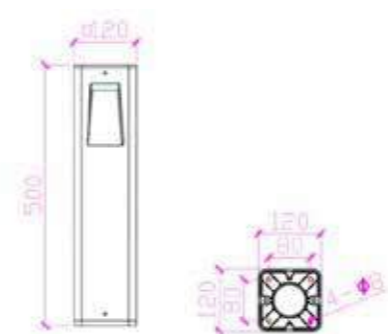
Ordering Information

Code	Power	Luminous Flux	Beam Angle	L	W
LB111	9.8W	880 LM	360°	800 mm	145 mm
LB112	14.3W	1320 LM	360°	800 mm	145 mm
LB113	17.7W	1675 LM	360°	800 mm	145 mm

LSB04



LSB01/ASY is a professional assymetric led bollard for land scape lighting solution. LSB01/ASY has a high quality extruded aluminum housing with die cast aluminum head for high impact and better protection level IP65. LSB01/ ASY have assymmetric light distribution. High quality protected LED driver with external cable and outdoor grade connection are all available to provide long lasting solution.



Driver Options: Standard, Dimmable, DALI.
Applications: Public gardens, Parks, Airports, Mall, Business Builddings.



Double Side Option Round edges more elegant Asymmetric distribution Up to 1mt height

Technical Specification

Housing	Extruded aluminum housing with Die cast aluminum head
Protection	IP 65
Light Shade	Protection PC
Rendering Index	CRI>80
Availabe CCT	2700K, 3000K, 4000K, 6500K
Beam Angles	Asymmetric distribution
Light Source	SMD LED module
Input Volatge	220-240V 50/60Hz
Working Temp.	-25C : +50C

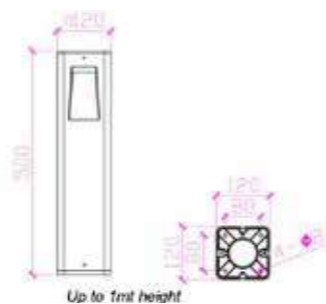
Ordering Information

Code	Power	Luminous Flux	Beam Angle	Height	LxW
LSB01/ASY-7-500	5.1W	490 LM	ASYMMETRIC	300-1000 mm	120x120mm
LSB01/ASY-10-1000	9.8W	880 LM	ASYMMETRIC	300-1000 mm	120x120mm
LSB01/ASY-15-1000	14.3W	1320 LM	ASYMMETRIC	300-1000 mm	120x120mm

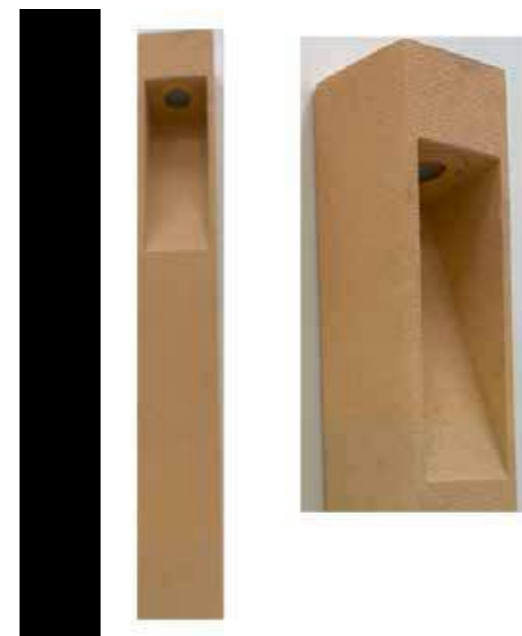
LSB01



LSB01/ASY is a professional asymmetric led bollard for land scape lighting solution. LSB01/ASY has a high quality extruded aluminum housing with die cast aluminum head for high impact and better protection level IP65. LSB01/ ASY have asymmetric light distribution. High quality protected LED driver with external cable and outdoor grade connection are all available to provide long lasting solution.



Driver Options: Standard, Dimmable, DALI.
Applications: Public gardens, Parks, Airports, Mall, Business Buildings.



Technical Specification

Housing	Aluminum housing
Protection	IP 65
Light Shade	Tempered Protection Glass
Rendering Index	CRI>80
Availabe CCT	2700K, 3000K, 4000K, 6500K
Beam Angles	Asymmetric distribution
Light Source	SMD LED module
Input Voltage	220-240V 50/60Hz
Working Temp.	-25C : +50C

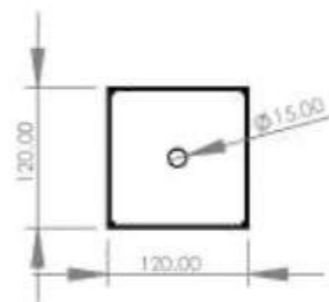
Ordering Information

Code	Power	Luminous Flux	Beam Angle	Height	LxW
LSB01/ASY-7-500	5.1W	490 LM	ASYMMETRIC	300-1000 mm	120x120mm
LSB01/ASY-10-1000	9.8W	880 LM	ASYMMETRIC	300-1000 mm	120x120mm
LSB01/ASY-15-1000	14.3W	1320 LM	ASYMMETRIC	300-1000 mm	120x120mm

LSB03



LSB03/ASY is a custom made professional asymmetric led bollard for land scape lighting solution. LSB03/ASY has a high quality extruded aluminum housing with die cast aluminum head for high impact and better protection level IP65. LSB03/ASY have asymmetric light distribution. High quality protected LED driver with external cable and outdoor grade connection are all available to provide long lasting solution.



Driver Options: Standard, Dimmable, DALI.
Applications: Public gardens, Parks, Airports, Mall, Business Buildings.



Technical Specification

Housing	Aluminum housing
Protection	IP 65
Light Shade	Tempered Protection Glass
Rendering Index	CRI>80
Availabe CCT	2700K, 3000K, 4000K, 6500K
Beam Angles	Asymmetric distribution
Light Source	SMD LED module
Input Voltage	220-240V 50/60Hz
Working Temp.	-25C : +50C

Ordering Information

Code	Power	Luminous Flux	Beam Angle	Height	LxW
LSB03-5	5.1W	490 LM	ASYMMETRIC	300-1000 mm	120x120mm
LSB03-10	9.8W	880 LM	ASYMMETRIC	300-1000 mm	120x120mm
LSB03-15	14.3W	1320 LM	ASYMMETRIC	300-1000 mm	120x120mm

GRAZER GZ1

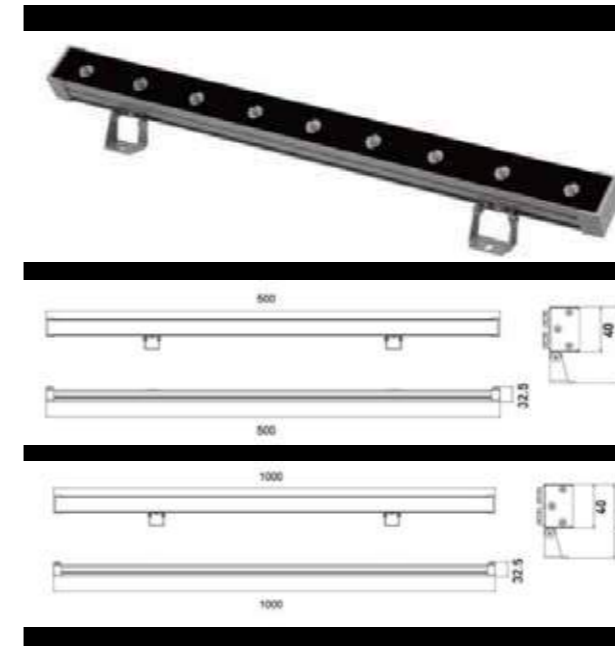


Grazer GZ1 is a Linear grazer for facade lighting system. High grade OSRAM LED with DALI dimming option for exterior home illumination. Adjustable clamps and accessories are SS316 to protect the fixture from corrosion. Wall washers evenly light up large areas and enhance the architecture. They are one of the best choices for facade lighting system.

Grazer GZ1 fixtures are also available in RGB/RGBW/ mono color and can light up historic monuments or

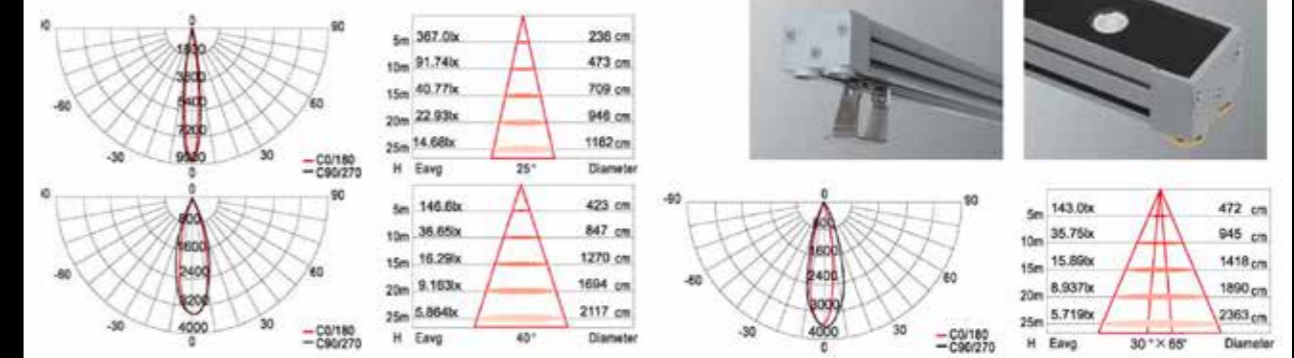
residential buildings. One can also use these DMX controllers to create multiple light patterns using RGB/ RGBW colors. For a focused, bright effect the fixture should be placed closer to the wall. Architects and lighting designers use wall washer fixtures for various high end

Driver Options: Standard, DALI or DMX RGB option.
Applications: Public gardens, Parks, facade lighting,...



Technical Specification

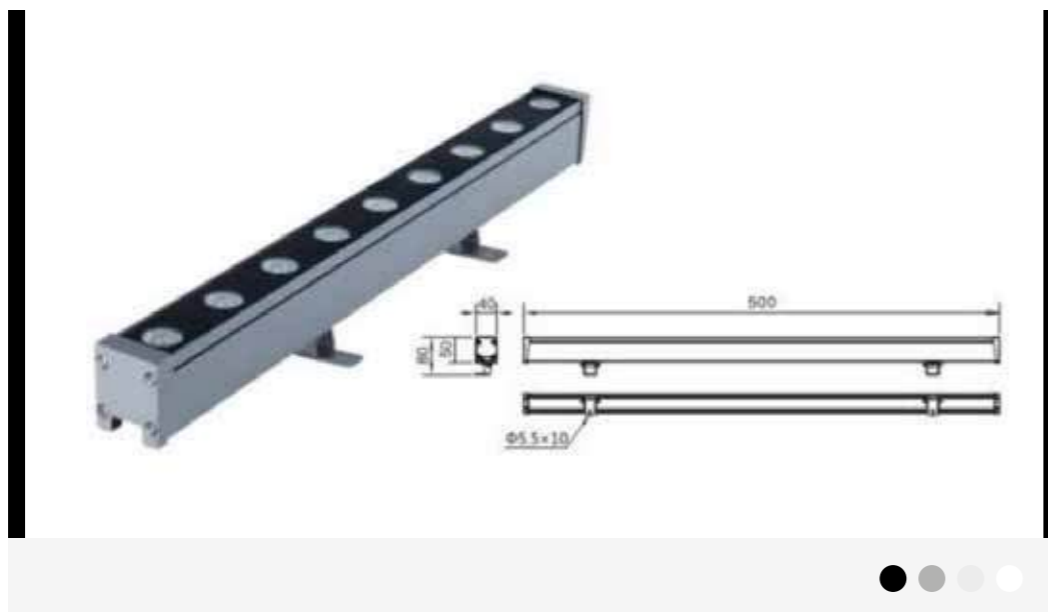
Housing	Aluminum profile with PC cover
Protection	IP 66
Beam Angles	Symmetric 25°, 40°, 60° and 80° or Asymmetric 30°x65°.
Rendering Index	CRI>80
Availabe CCT	3000K, 4000K, 6500K
Light Source	High Power SMD
LIFE TIME	50,000 Hrs
Input Voltage	24Vdc
Working Temp.	-25C : +50C



Ordering Information

Code	Power	LED Type	Beam Angle	L x W mm	Hight mm	Fixing
Grazer GZ1-500/S	5.1W	9 Single Color	25°, 40°, 60°, 80°, 30°x65°	500x40mm	32.5mm	bracket
Grazer GZ1-500/S	9.8W	9 Single Color	25°, 40°, 60°, 80°, 30°x65°	500x40mm	32.5mm	bracket
Grazer GZ1-1000/S	14.4W	12 Single Color	25°, 40°, 60°, 80°, 30°x65°	1000x40mm	32.5mm	bracket
Grazer GZ1-1000/S	19.8W	12 Single Color	25°, 40°, 60°, 80°, 30°x65°	40mm	32.5mm	bracket
Grazer GZ1-500/RGB	9.8W	4R 4G 4B	25°, 40°, 60°, 80°, 30°x65°	40mm	32.5mm	bracket
Grazer GZ1-1000/RGB	19.8W	3R 3G 3B	25°, 40°, 60°, 80°, 30°x65°	40mm	32.5mm	bracket

GRAZER GZ2 IP67

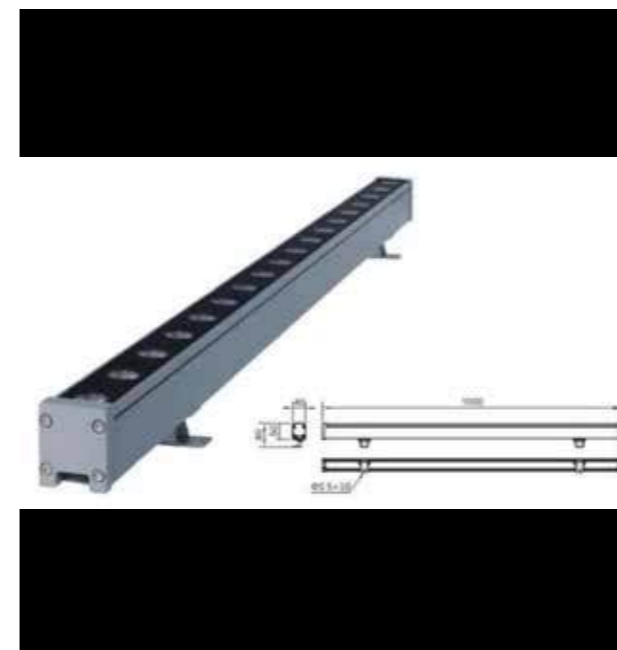


Grazer GZ2 is a Linear grazer for facade lighting system. High grade OSRAM LED with DALI dimming option for exterior home illumination. Adjustable clamps and accessories are SS316 to protect the fixture from corrosion. Wall washers evenly light up large areas and enhance the architecture. They are one of the best choices for facade lighting system.

Grazer GZ2 fixtures are also available in RGB/RGBW/ mono color and can light up historic monuments or

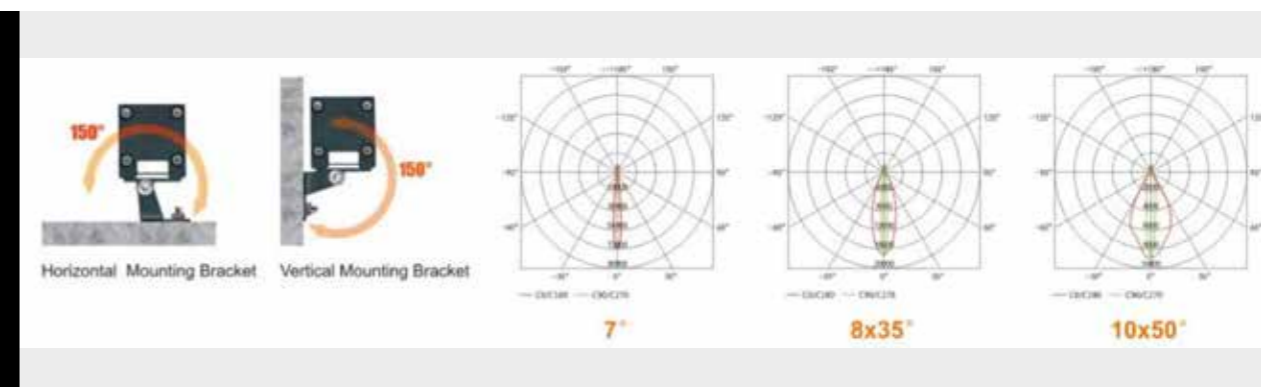
residential buildings. One can also use these DMX controllers to create multiple light patterns using RGB/ RGBW colors. For a focused, bright effect the fixture should be placed closer to the wall. Architects and lighting designers use wall washer fixtures for various high end.

Driver Options: Standard, DALI or DMX RGB option.
Applications: Public gardens, Parks, facade lighting,...



Technical Specification

Housing	Aluminum profile with PC cover
Protection	IP 67
Beam Angles	Symmetric 25°, 40°, 60° and 80° or Asymmetric 30°x65.
Rendering Index	CRI>80
Availabe CCT	3000K, 4000K, 6500K
Light Source	High Power SMD, 80LM/W
LIFE TIME	50,000 Hrs
Input Voltage	24Vdc
Working Temp.	-25C : +50C



Ordering Information

Code	Power	LED Type	Beam Angle	L x W mm	Hight mm	Fixing
Grazer GZ2-500/S	14.4W	9 Single Color	7°, 25°, 40°, 8x35°, 10°x50°	500x40mm	50mm	bracket
Grazer GZ2-500/S	19.8W	12 Single Color	7°, 25°, 40°, 8x35°, 10°x50°	500x40mm	50mm	bracket
Grazer GZ2-1000/S	27.5W	18 Single Color	7°, 25°, 40°, 8x35°, 10°x50°	1000x40mm	50mm	bracket
Grazer GZ2-1000/S	39.6W	24 Single Color	7°, 25°, 40°, 8x35°, 10°x50°	1000x40mm	50mm	bracket
Grazer GZ2-500/RGB	19.8W	4R 4G 4B	7°, 25°, 40°, 8x35°, 10°x50°	500x40mm	50mm	bracket
Grazer GZ2-1000/RGB	39.6W	8R 8G 8B	7°, 25°, 40°, 8x35°, 10°x50°	1000x40mm	50mm	bracket